

Barudan

HIGH SPEED AUTOMATIC EMBROIDERY MACHINE

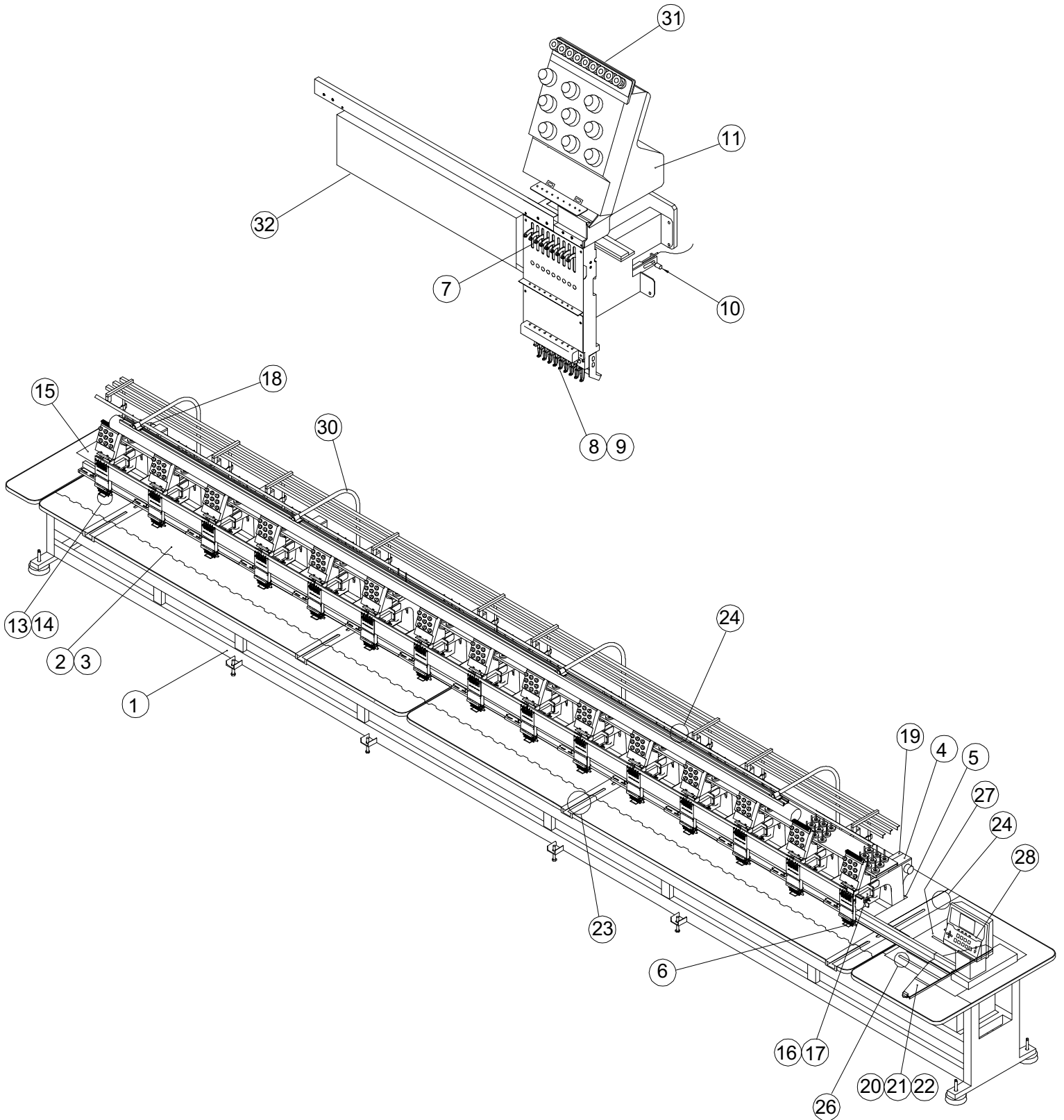
BENSME-ZN

BENRME-ZN

12/15/20 HEAD MODELS

PARTS LIST

Machine Layout



BENSME-ZN
 BENRME-ZN
 HIGH SPEED AUTOMATIC EMBROIDERY
 MACHINE PARTS LIST
 CONTENTS

Layout Ref	Description
1	Table and Frame (12 Head)
2	Table and Frame (15 Head)
3	Table Lifter
4	Sewing Head Assembly
5	Bed Assembly
6	Automatic Thread Cutting Mechanism I
7	Take-up Lever Mechanism
8	Needle Bar Mechanism I
9	Needle Bar Mechanism II
10	Jump Assembly
11	Thread Guide Mechanism
12	Thread Guide Mechanism w/color change
13	Automatic Thread Cutting Mechanism II
14	Automatic Thread Cutting Mechanism III
15	Automatic Thread Cutting Mechanism IV
16	Color Change Mechanism I
17	Color Change Mechanism II
18	Drive Mechanism
19	Connecting Shaft Mechanism
20	Pantograph/Drive Covers
21	Pantograph Assembly
22	Pantograph Hoop Support Arm
23	Pantograph Drive Mechanism III (H Direction Front)
24	Pantograph Drive Mechanism IV (H Direction Rear I)
25	Pantograph Drive Mechanism V (H Direction Rear II)
26	Pantograph Drive Mechanism VI (V Direction Front)
27	Pantograph Drive Mechanism VII (V Direction Rear II)
28	Control System
29	Thread Stand/Underhead Lamp
30	Lamp Assembly (Overhead Style)
31	UTSM Option
32	Head Cover

Table And Frame (12 Head)

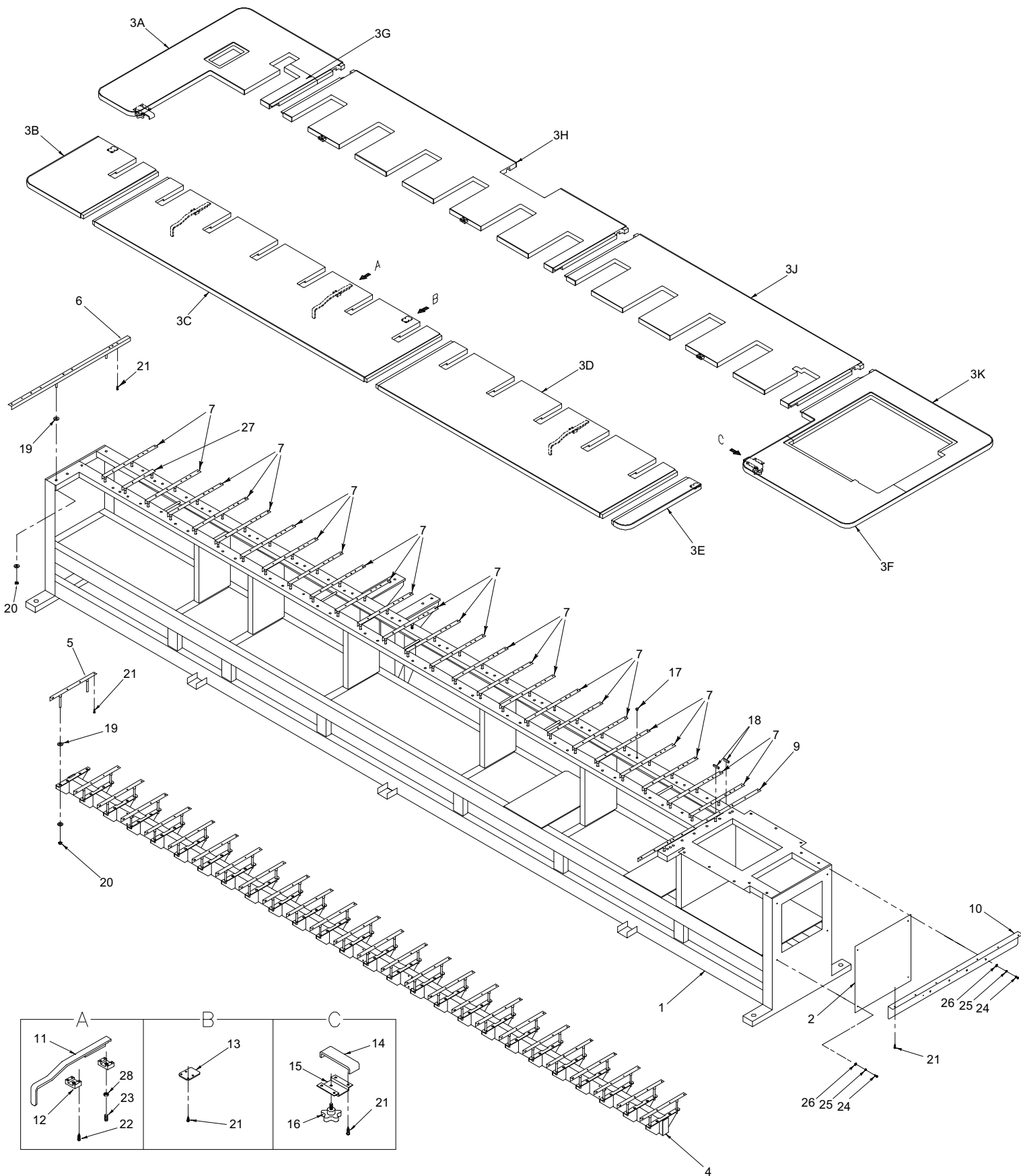


Table And Frame (15 Head)

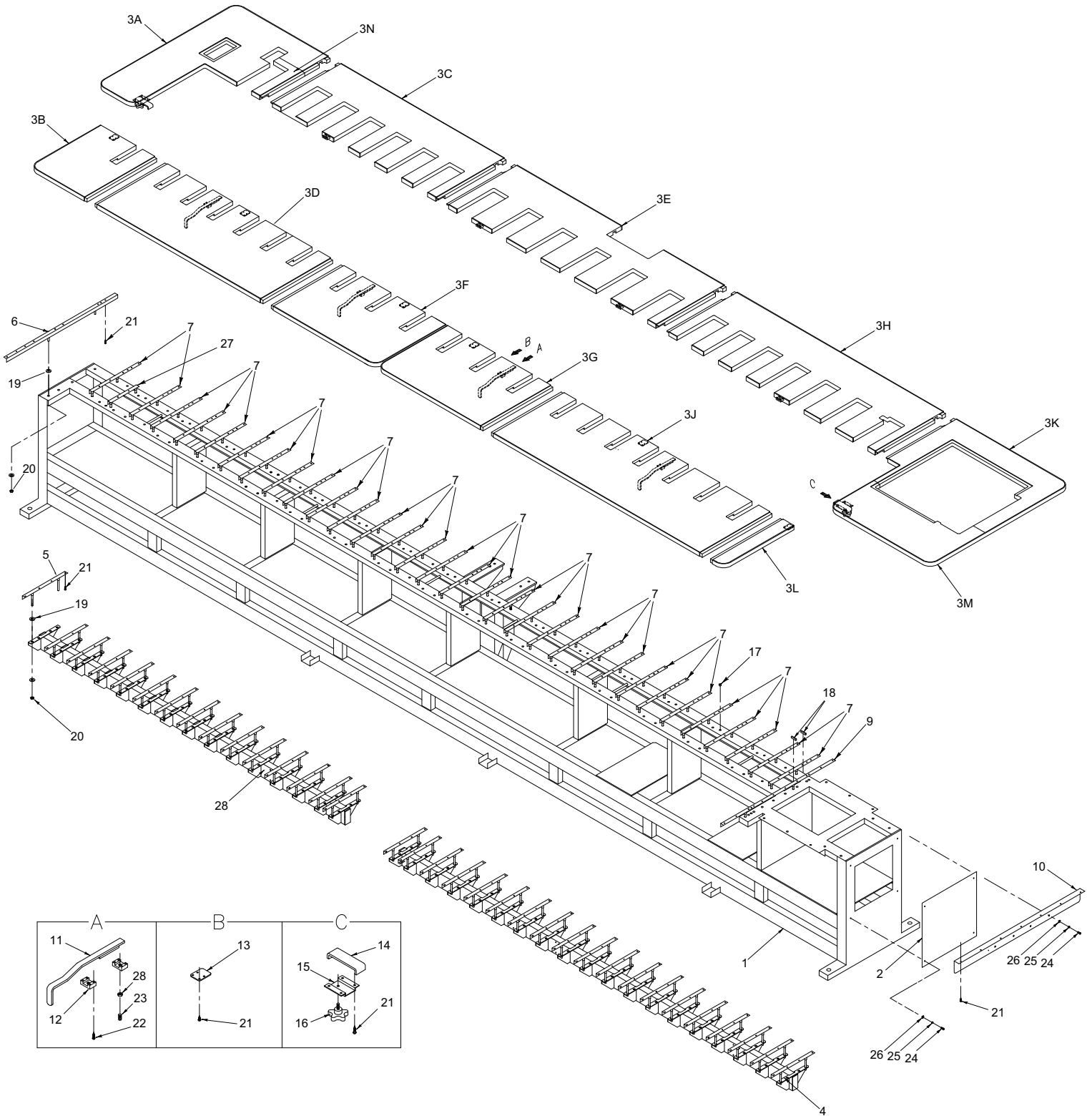


Table Lifter Assembly

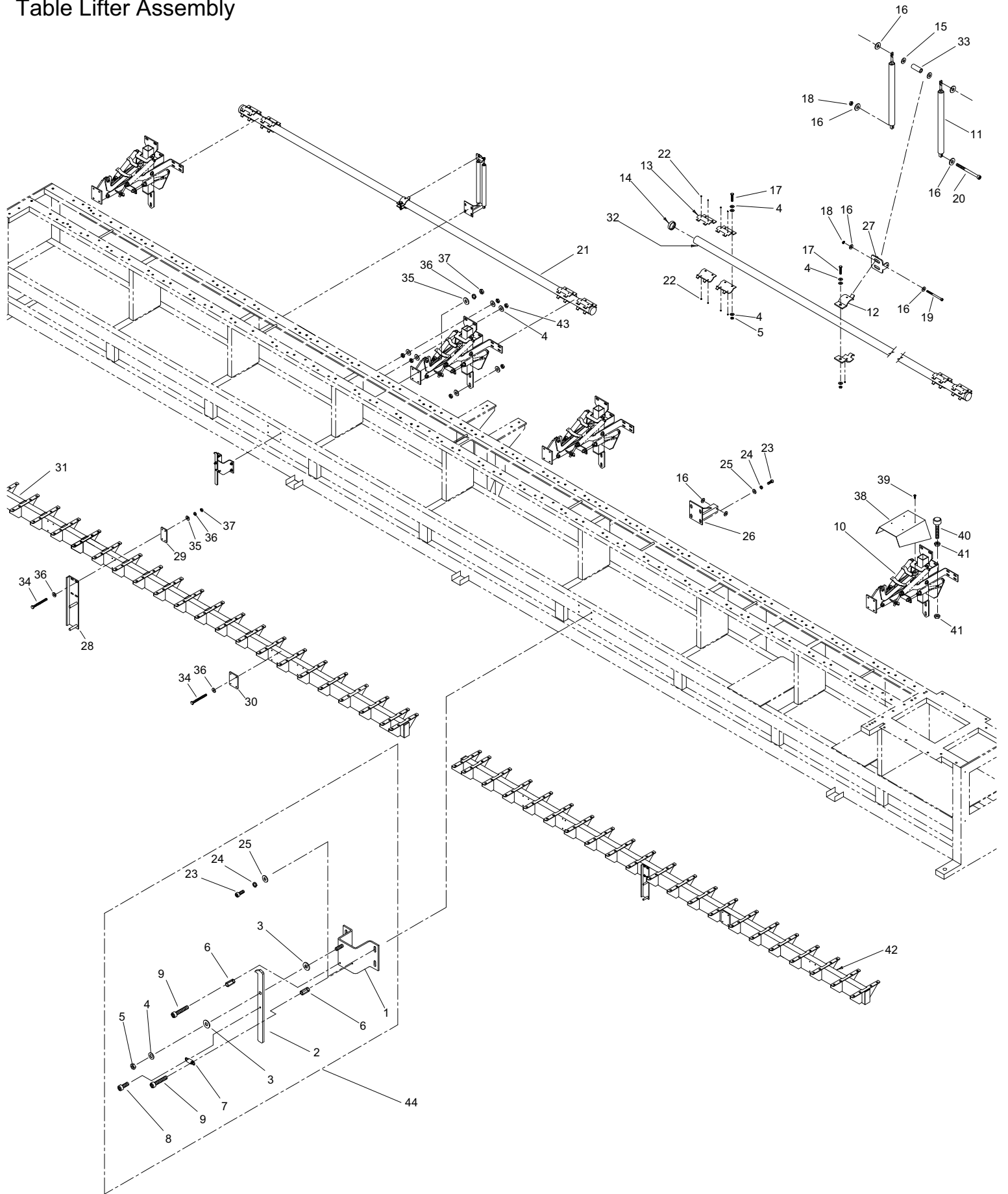
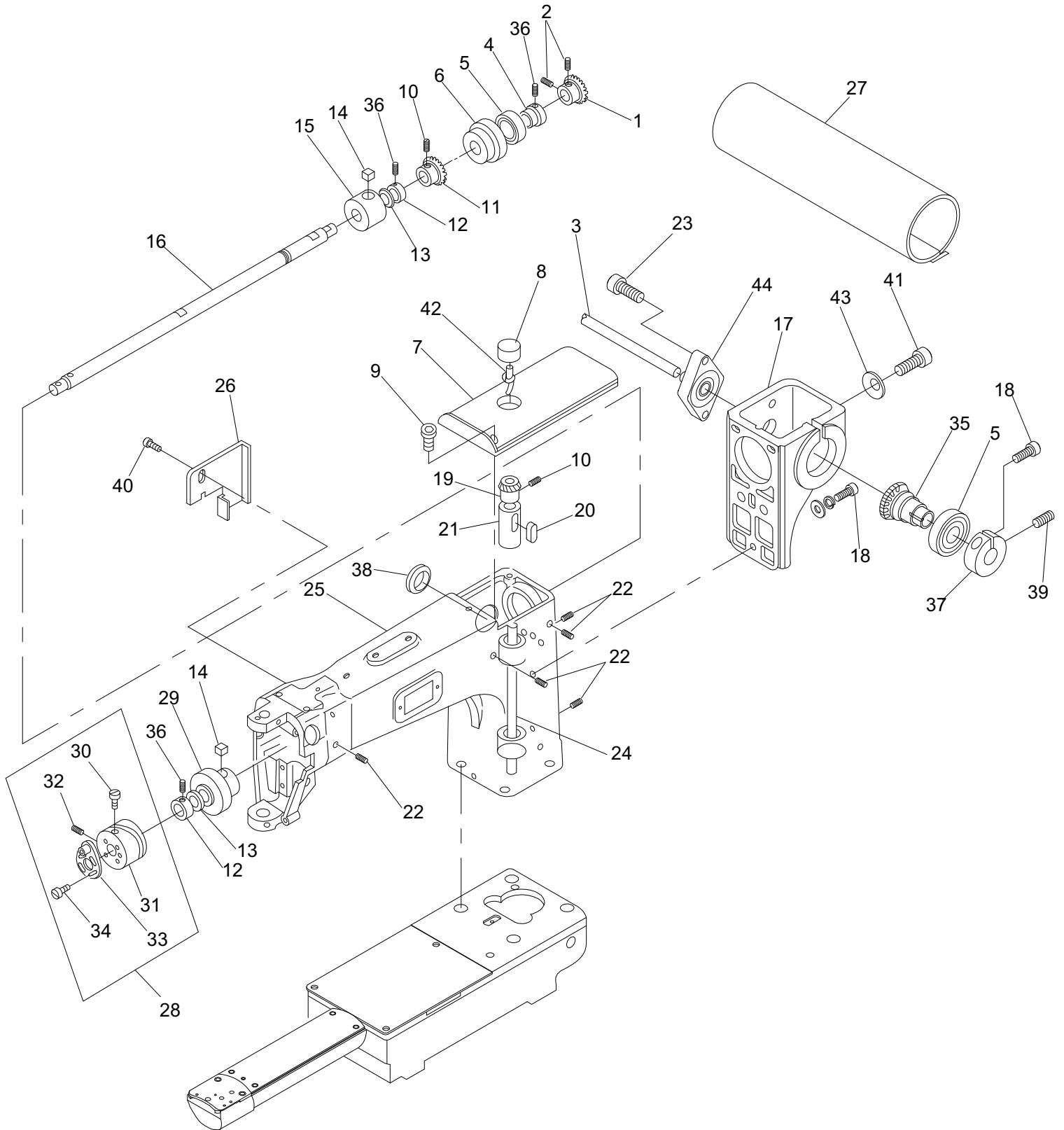


Table Lifter Assembly

ITEM	LIST No	DESCRIPTION	Q'TY	REMARK
1	A100174	Base, Lock Plate	1	
2	A100141	Lever, Lock Plate	1	
3	A100195	Washer, Nylon (1" O.D. X 13/32 I.D. X 1/16" THK.)	2	
4		Washer, 3/8" Flat		
5		Nut, 3/8-16 Unc-2b Nylon Insert Hex. Lock		
6	A100079	Spacer Tube	2	
7	A200046	Spring, Catch Lever		
8		Screw, #10-32 Unf-2ax3/8" Lg.Hex.Soc.Hd.Cap		
9		Screw, #10-32 Unf-2ax3/4" Lg.Hex.Soc.Hd.Cap		
10	A200035	Assembly, Standard Table Lift	3	
11	A200034	Cylinder, Hydraulic	2	
12	A200139	Bracket, Cylinder & Tube Retaining	2	
13	A200109	Bracket, Tube Retaining	12	
14	A110002	Cap, End (Black)	2	
15		Washer, M5 Clevis Pin	2	
16		Washer, M5 Flat (Fender)	8	
17		Bolt, 3/8-16 X 1 3/4" Lg. Hex Hd.	13	
18		Nut, #10-32 Hexagonal Nyloc	2	
19		Screw, #10-32 x 2 1/4" Lg.Hex.Soc.Hd.Cap	1	
20		Screw, #10-32x 2 1/2" Lg.Hex.Soc.Hd.Cap	1	
21	A300020	Left Alignment Tubing (BENSME 15)	6	
22		Screw, 1/4-28 Unf-2ax1/4"Lg.Knurlled Cup		
		Point Hex.Soc.Set		
23		Screw, M6 X 1.0 X 12.0MM Lg. Soc. Hd. Cap		
24		Washer, M6 Helical Spring Lock		
25		Washer, M6 Flat		
26	A200029	Bracket, Lower Cylinder	1	
27	A200140	Bracket, Cylinder Mounting	1	
28	A100173	Catch, Lock Plate	1	
29	A200049	Plate, Table Catch Backing	1	
30	A200026	Plate, Backing	3	
31	A300005	Left Table Guide (BENSME 15)	1	
32	A300021	Right Alignment Tubing (BENSME 15)	1	
33	A100196	Spacer, Cylinder (ZN)	1	
34		Bolt, 1/4-20 X 2 3/4" Lg. Hex Hd.		
35		Nut, 1/4-20 Hexagonal		
36		Washer, 1/4" Flat		
37		Washer, 1/4" Helical Spring Lock		
38	A200030	Cover, Table Lift Spring	3	
39		Screw, M4 X 0.7 X 6.0MM LG. Truss Head		
40	A200045	Spindle, Adjustment	3	
41		Nut, 3/8-16 Grade 5 Hexagonal		
42	A300004	Right Table Guide (Bensme15)	1	
43		3/8"-16 Hex Nut		
44	A100175	Latch Assembly, Two Position	1	

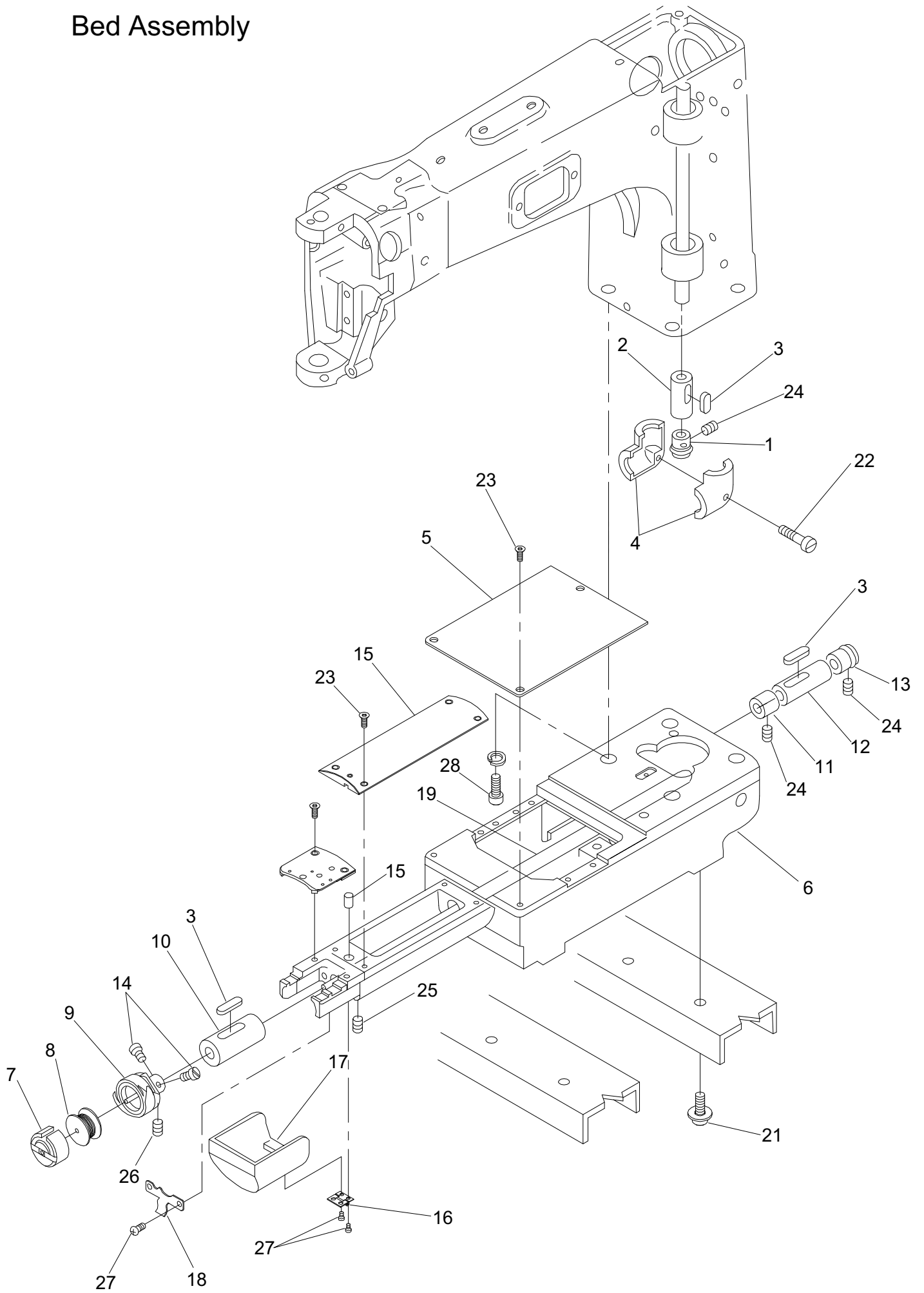
Sewing Head Assembly



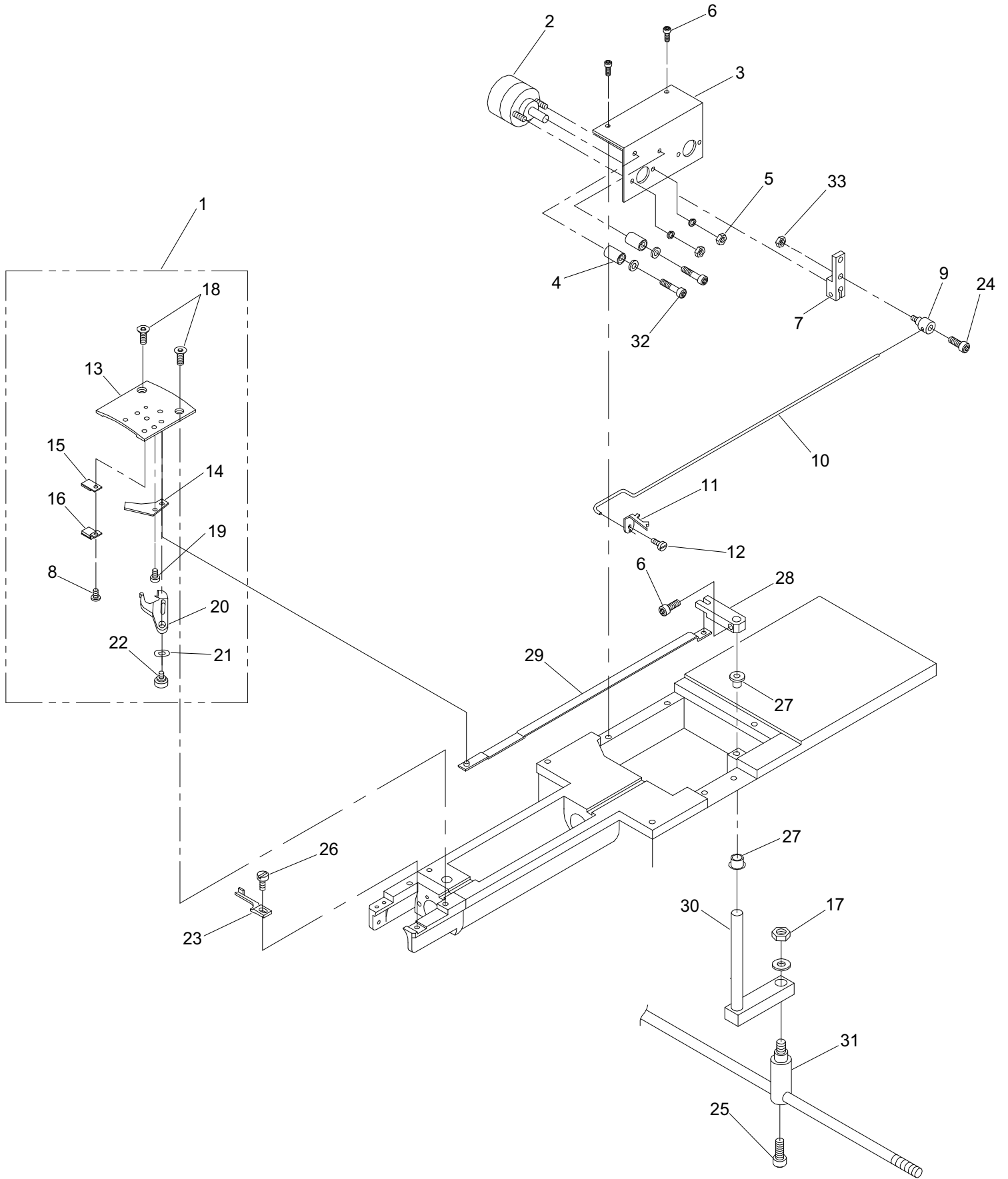
Sewing Head Assembly

ITEM	LIST No	DESCRIPTION	Q'TY	REMARK
1	KL220100	Upper Gear	1	
2		Hex Socket Screw (M6x6 With Adhesion)	2	
3	KC320113	Upper Connecting Shaft (15mm)	1	
4	KL220090	Upper Top Shaft Gear Rear Bearing Collar	1	
5	A9010017	Bearing (6004ZZ)	2	
6	KL220040	Upper Top Shaft Gear Rear Bearing Case	1	
7	KL250040	Arm Top Cover	1	
8	KL220150	Oil Felt "D"	6	
9		Truss Screw (M4x10)		
10		SCREW (SM1/4 40x4)		
11	KF220130	Bevel Gear (Top Shaft)	1	
12	KL220080	Top Shaft C0llar	2	
13	HP231390	Thrust Washer (Top Shaft Gear)	2	
14	KL220130	Oil Felt	2	
15	KL220030	Top Shaft Metal (Middle)	1	
16	KL220030	Top Shaft	1	KL220000
17	KL210149	Arm Gear Case	1	
18		Hex Socket Bolt (M6x25)		
19	KF220460	Bevel Gear (Vertical Shaft Upper)	1	
20	KL220140	Oil Felt C	1	
21	KL220050	V-Shaft Bushing (Upper)	1	
22		Hex Socket Screw (M6x25)		
23		Hex Socket Screw (M6x8)		
24	KL220010	Vertical Shaft	1	
25	KX210010	Arm	1	
26	KL250051	Arm Side Cable Cover	1	
27	1PKV12380	Shaft Cover Set (NSME-12)	1	
	1PKV15380	Shaft Cover Set (NSME-15)		
28	KB230010	Take Up Lever Cam K6 With Crank Assy.		
29	KL220020	Top Shaft Metal (Front)	1	
30	KF230420	Take Up Lever Cam Screw (K6)	1	
31	KB230030	Take Up Lever Cam (K6)	1	
32		Screw (SM15/64-28x10) (with adhesion)		
33	KB230050	90° Crank (YN/ZN/ZQ)		
34	A9012007	Pos. Finger/Cam Screw (SM 11/64-40 x 7)		
35	KL320000	Connecting Gear		
36		Hex Socket Screw (M6x6)		
37	KL320020	Connecting Gear Clamp (w/screws)	1	
38	A9014063	Grommet (C-30-SG-36A)	1	
39		Hex Socket Screw (M6x10)		
40		Truss Screw (M4x8)		
41		Hex Socket Bolt (M6x60)		
42	KC251330	Oil Core L=75	1	
43		Flush Spring (M6)		
44	HP321140	Upper Shaft Connecting Bearing Collar	1	

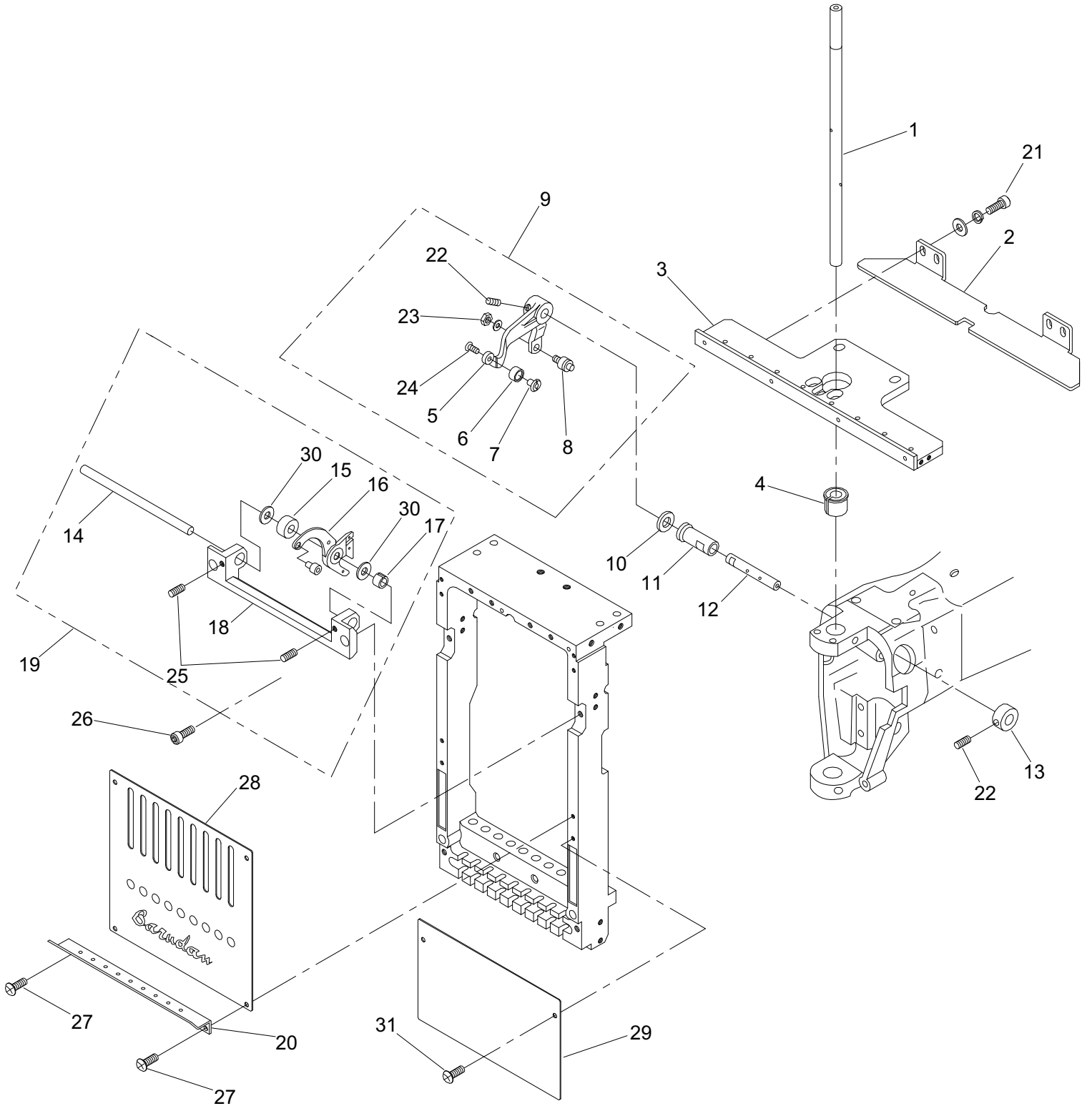
Bed Assembly



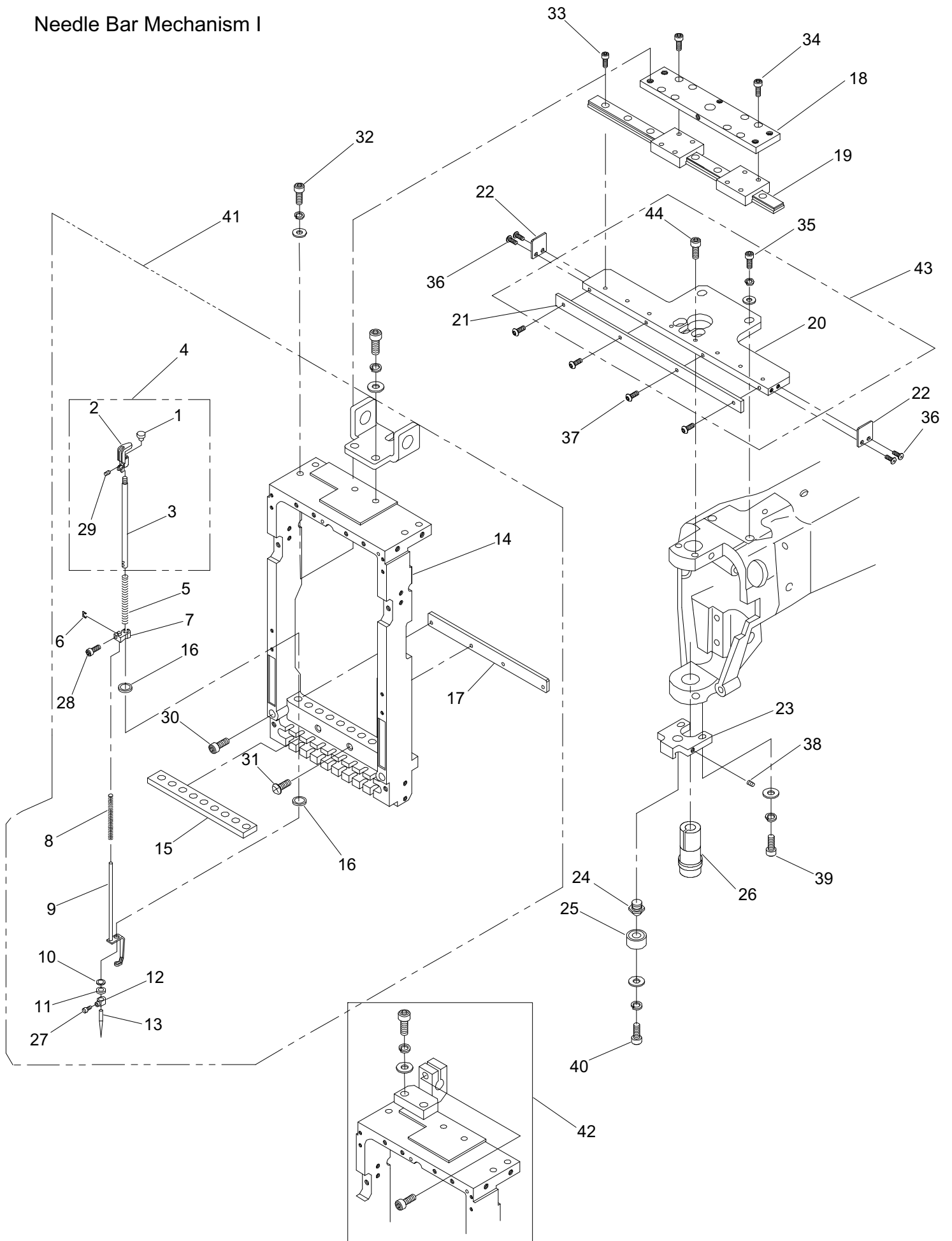
Automatic Thread Cutting Section Mechanism I



Take Up Lever Mechanism



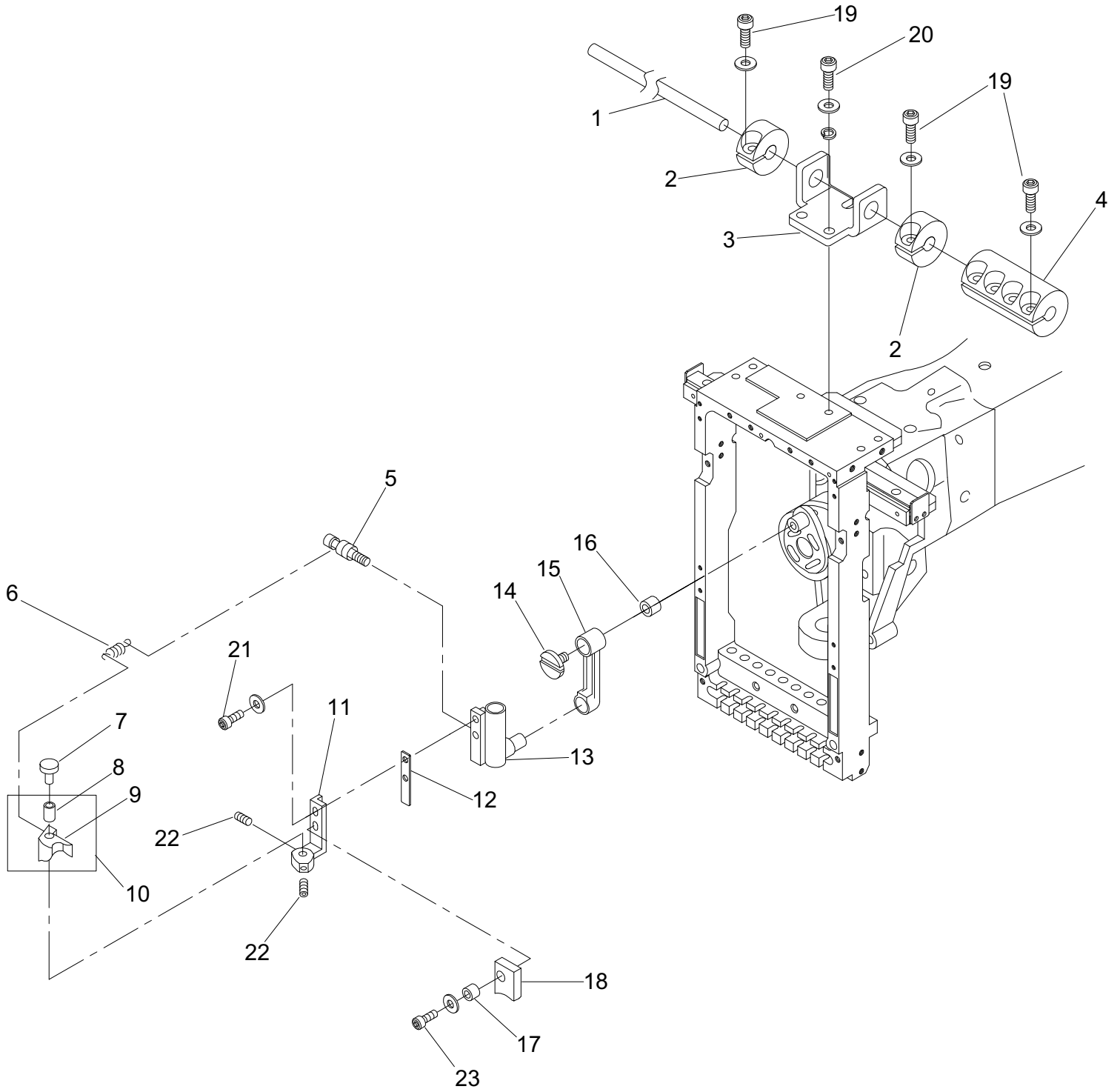
Needle Bar Mechanism I



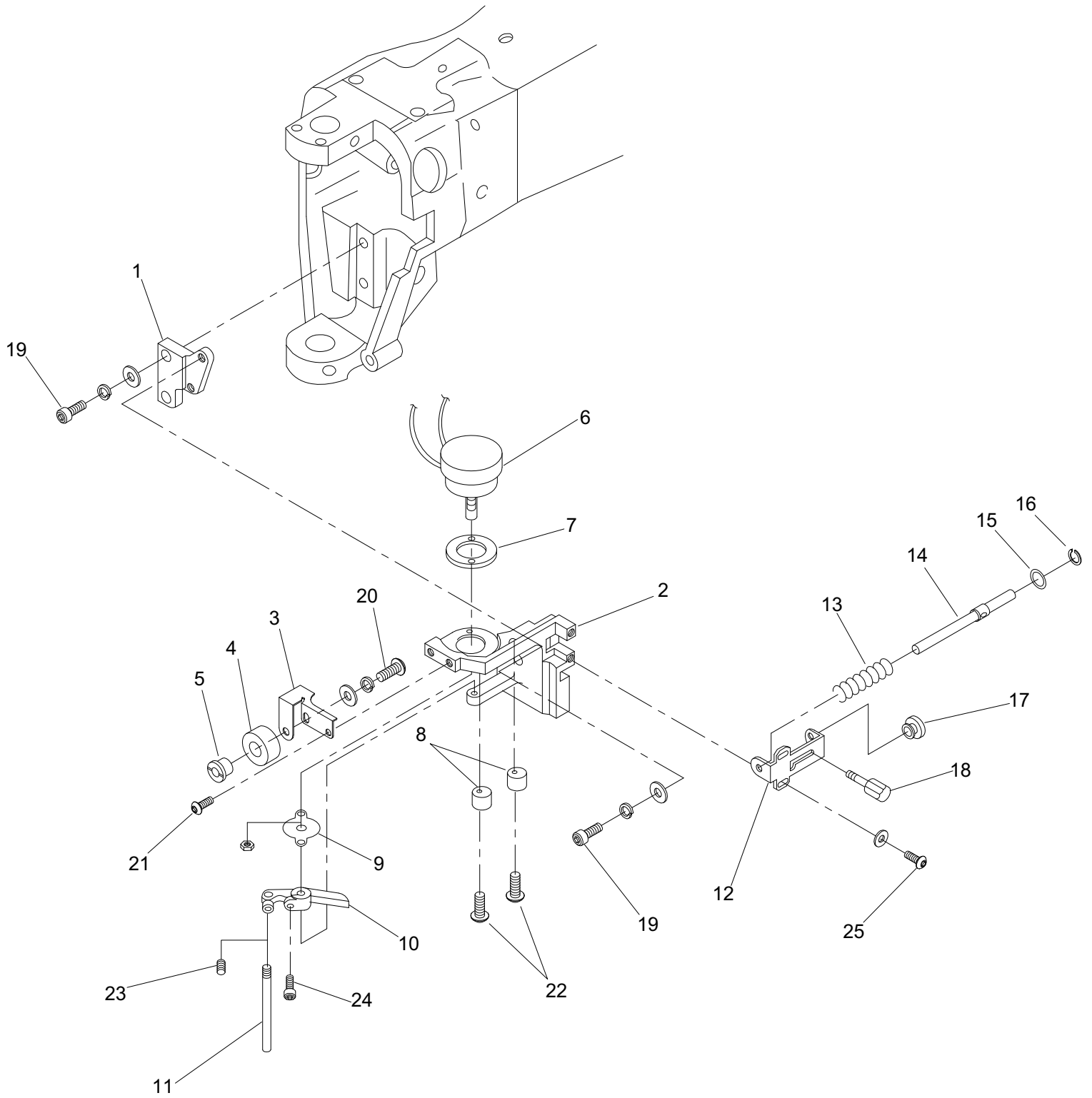
Needle Bar Mechanism I

ITEM	LIST No	DESCRIPTION	Q'TY	REMARK
1	HT230130	Needle Bar Cap (YN/ZN)	9	
2	HT230151	Needle Bar Guide (YN/ZN)	9	
3	HT230041	Needle Bar	9	
4	HT230810	Needle Bar Assy (YN/ZN)	9	
5	HT230251	Needle Bar Spring (YN/ZN)	9	
6	HT230262	Washer For Set Clamp	9	
7	HT230051	Presser Foot Set Clamp	9	
8	KX230250	Presser Foot Set Spring	9	
9	HT230143	Presser Foot (YN/ZN)	9	
10	KF230910	O-Ring (Small)	9	
11	HT230120	Needle Clamp Spacer 2.4 (YN/ZN)	9	
12	HT230670	Needle Clamp (with Guide)	9	
13	KF230250	Needle (DBK5-11)	9	
14	KX230000	Slide Block (ZN)	1	
15	KX230180	Needle Bar Felt (ZN)	1	
16	KF230920	O-Ring (Large)	18	
17	KX230040	Bearing Plate (ZN)	1	
18	KX230010	LM Base (ZN)	1	
19	KX230060	LM Guide (ZN)	1	
20	KX230020	Base Plate (ZN)	1	
21	KX230220	LM Rail Plate (ZN)	1	
22	KX230190	LM Stopper	2	
23	KX230030	Bearing Plate Guide (ZN)	1	
24	KX230050	Bearing Pin (ZN)	1	
25	A9010065	Ball Bearing 686ZZ	1	
26	KX230080	Slide Shaft Bushing (Lower)	1	
27	KF230240	Needle Clamp Screw (SM9/64-40 x 6)	9	
28		Hex Socket Bolt M3x8		
29		Hex Socket Set Screw M4x4		
30		Hex Socket Bolt M3x25		
31		Hex Socket Flush Screw M3x25		
32		Hex Socket Bolt M5x16 (With Washers)		
33		Hex Socket Bolt M3x8		
34		Hex Socket Bolt M3x6		
35		Hex Socket Bolt M5x20 (With washers)		
36		Hex Socket Button Bolt M3x6		
37		Hex Socket Button Bolt M3x8		
38		Hex Socket Set Screw M4x12		
39		Hex Socket Bolt M4x15 (With Washers)		
40		Hex Socket Bolt M4x6 (With Washers)		
41	KX230260	Slide Block Assembly (ZN)		
42	KX230300	Slide Block Head Assembly (ZN)		
43	KX230270	Base Plate Assembly (ZN)		
44		Hex Socket Bolt M4x10		

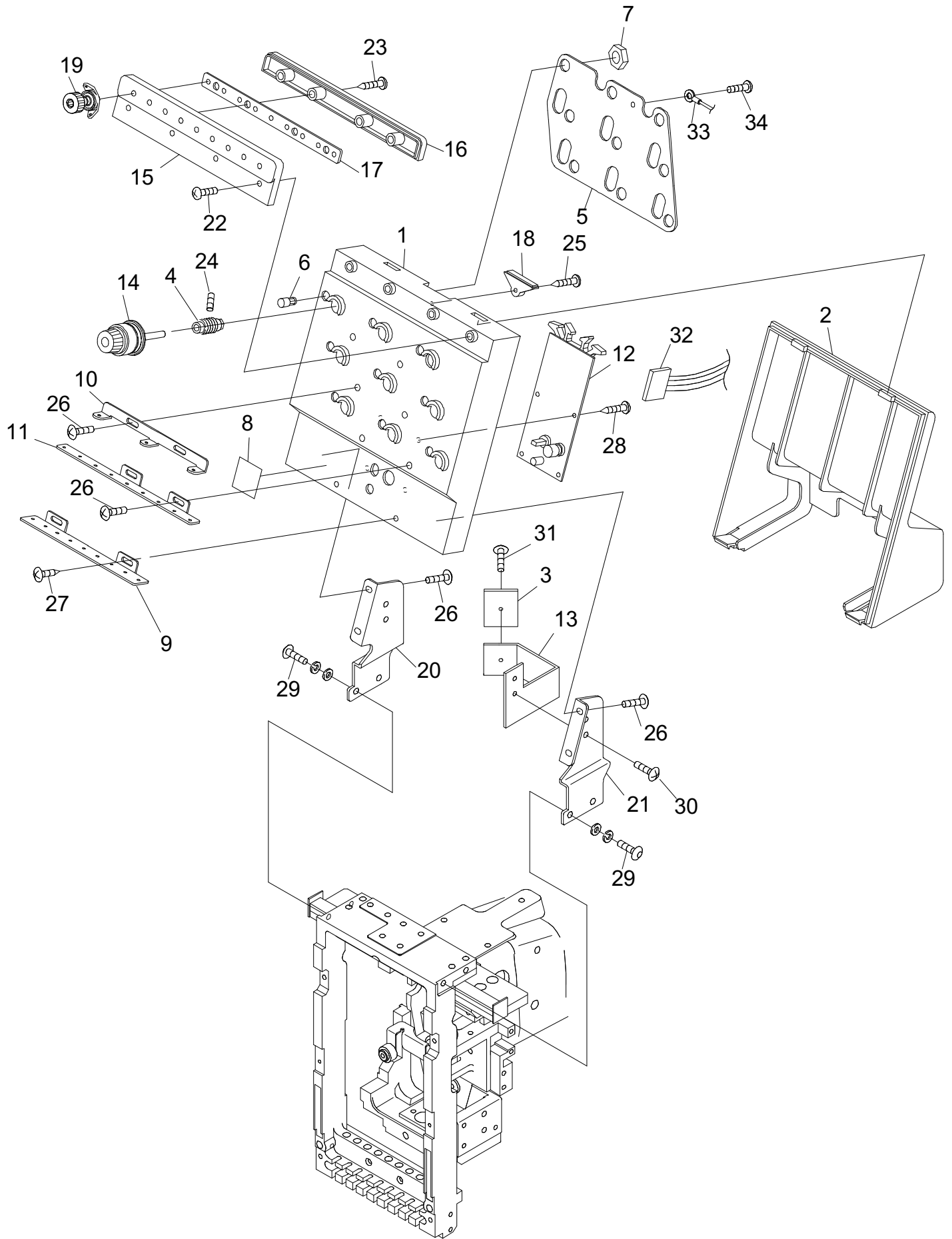
Needle Bar Mechanism II



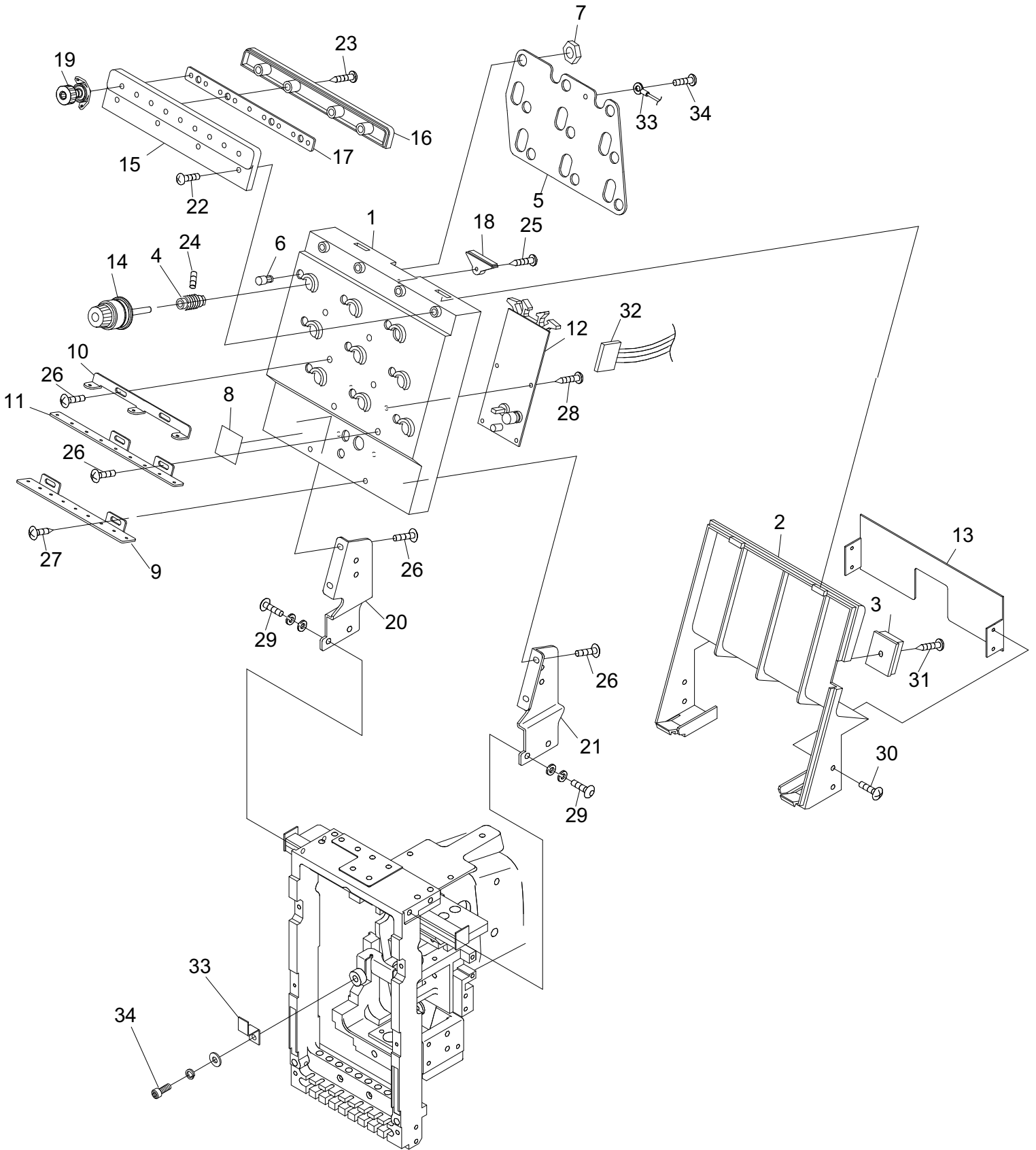
Jump Assembly



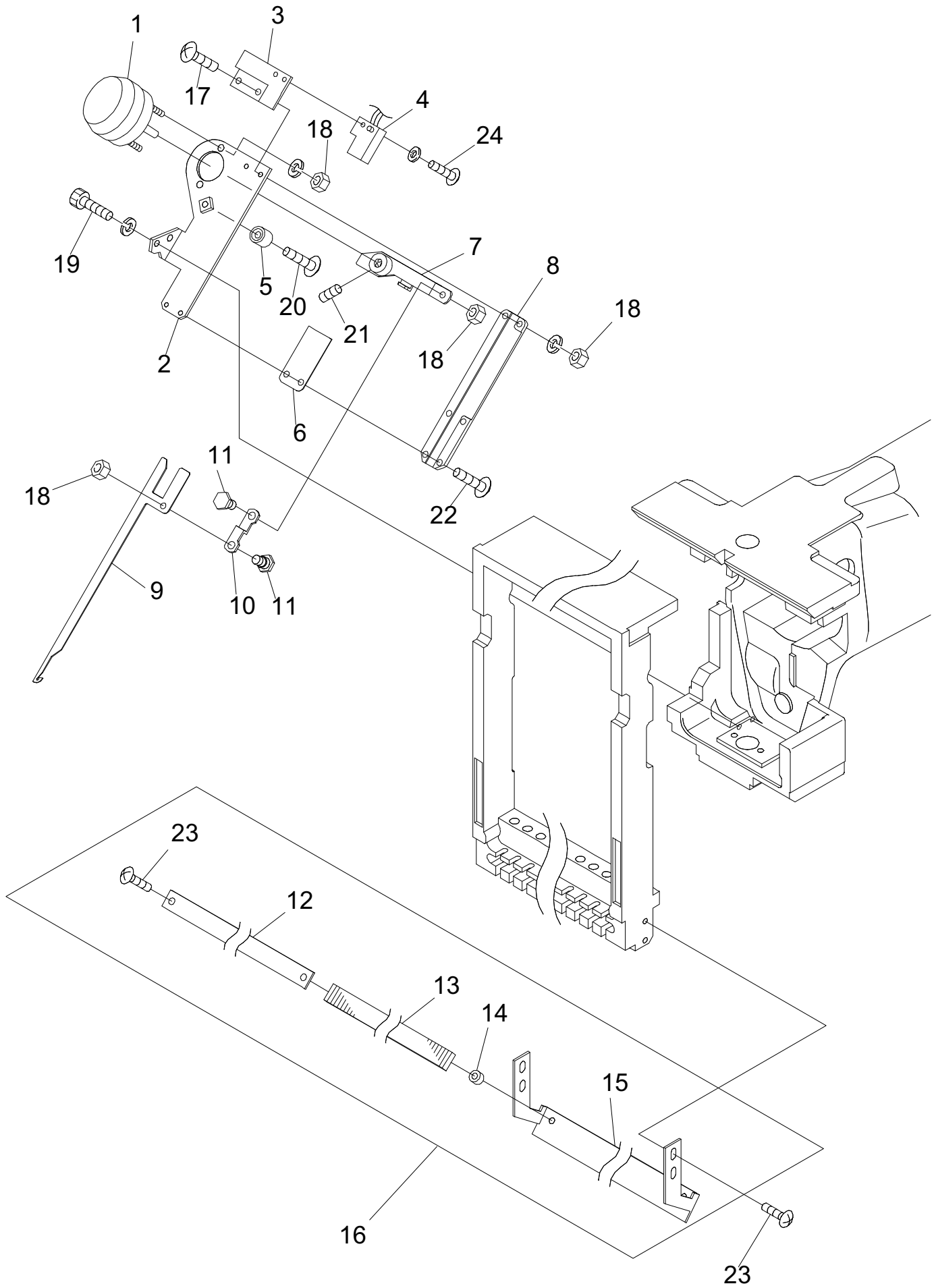
Thread Guide Mechanism



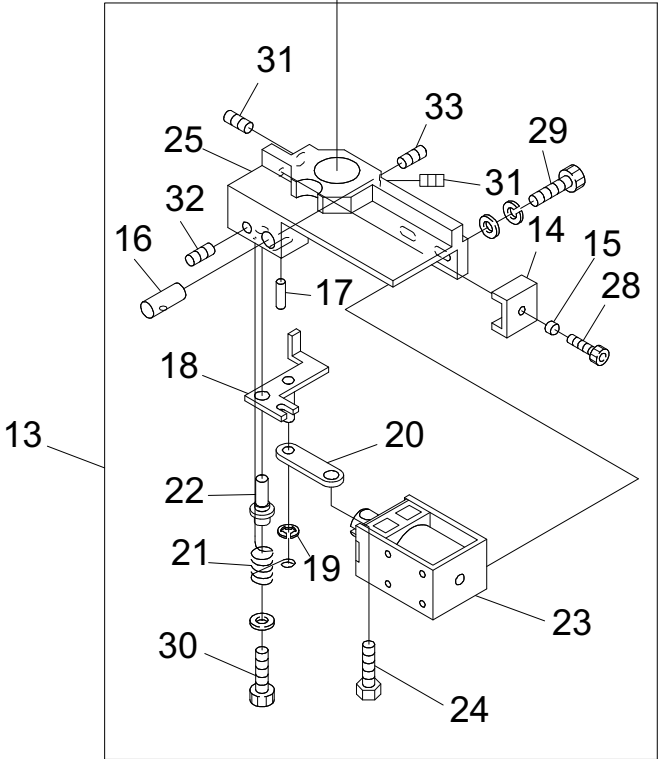
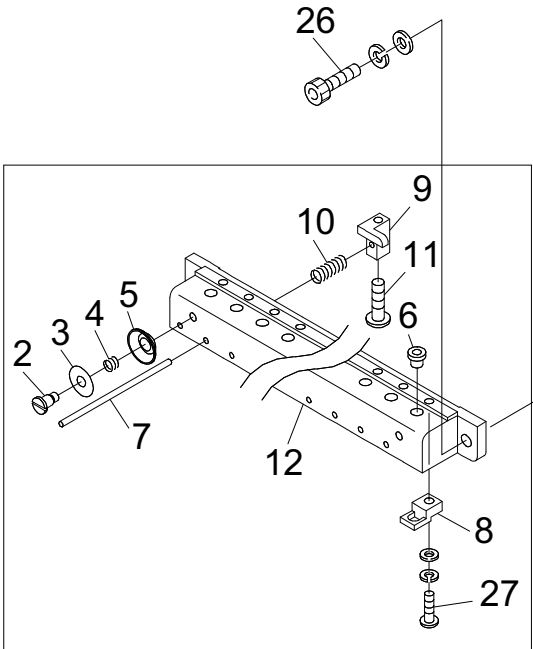
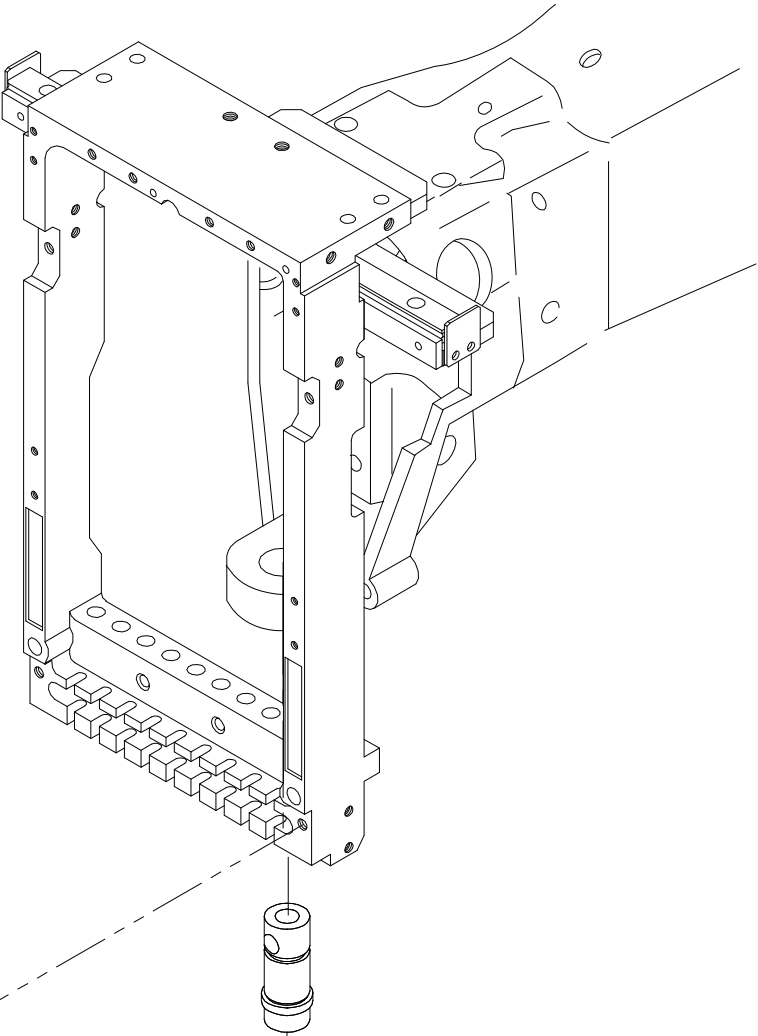
Thread Guide Mechanism (w/color change)



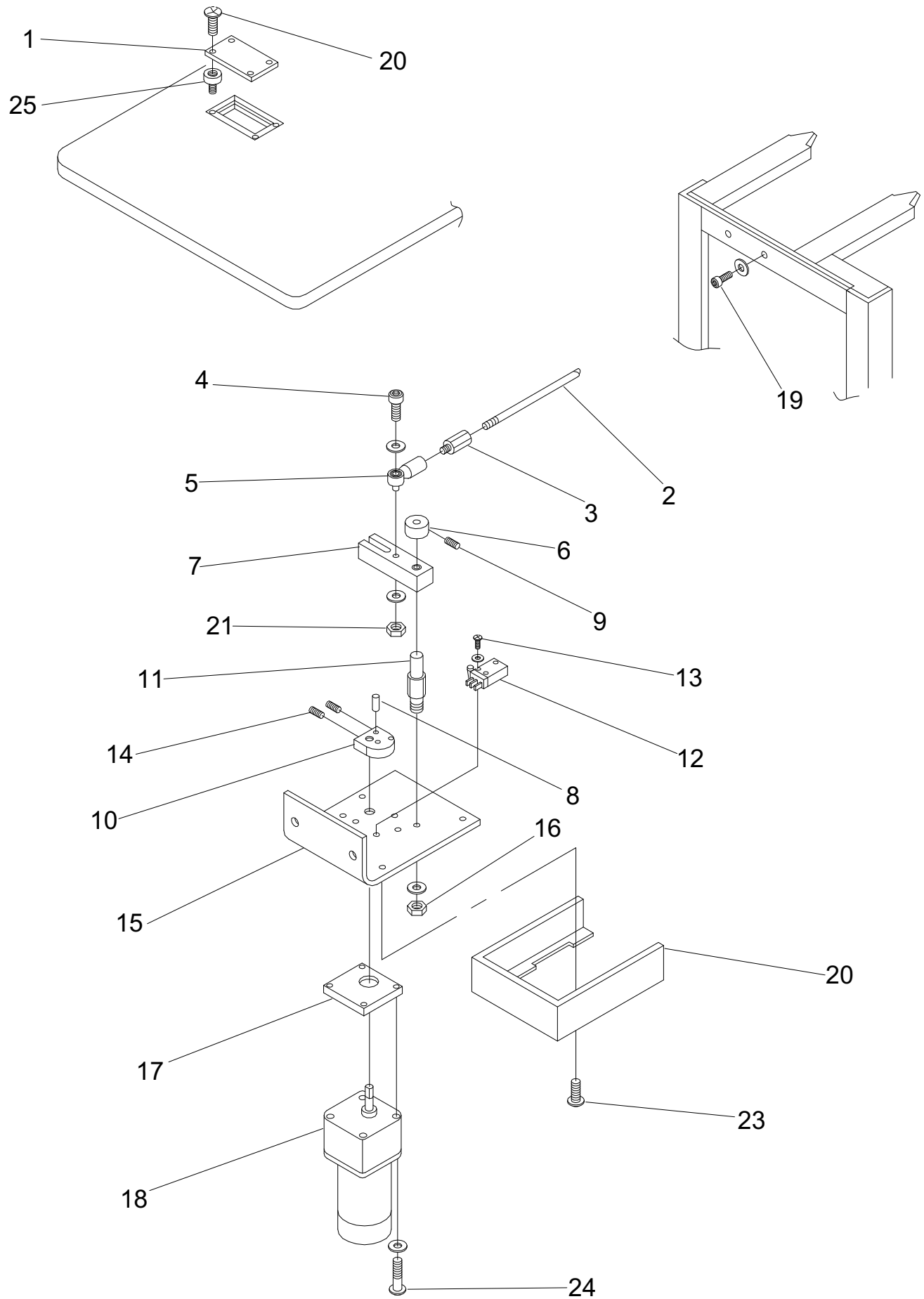
Automatic Thread Cutting Mechanism II (Thread Away Section)



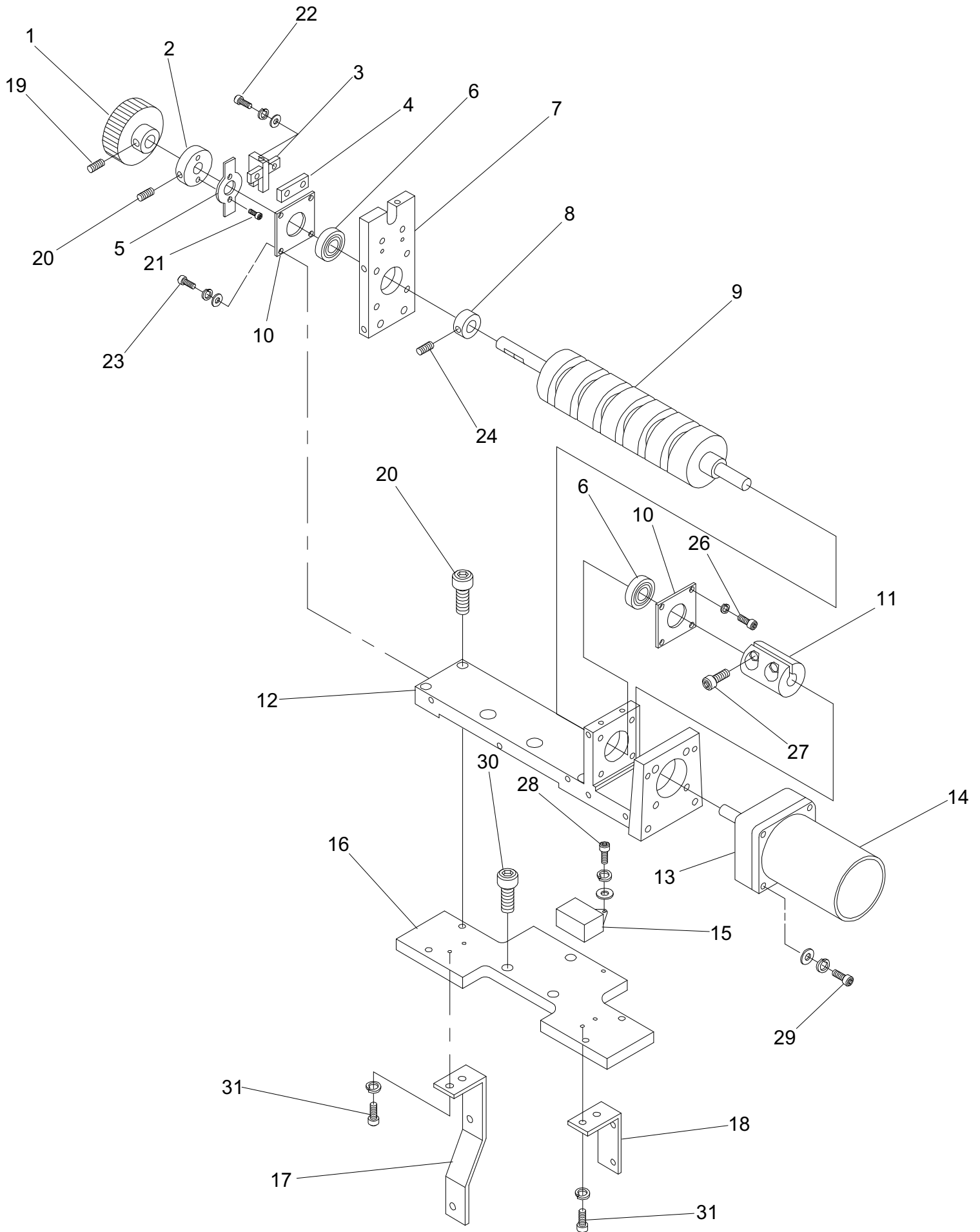
Automatic Thread Cutting Mechanism III (Thread Support Section)



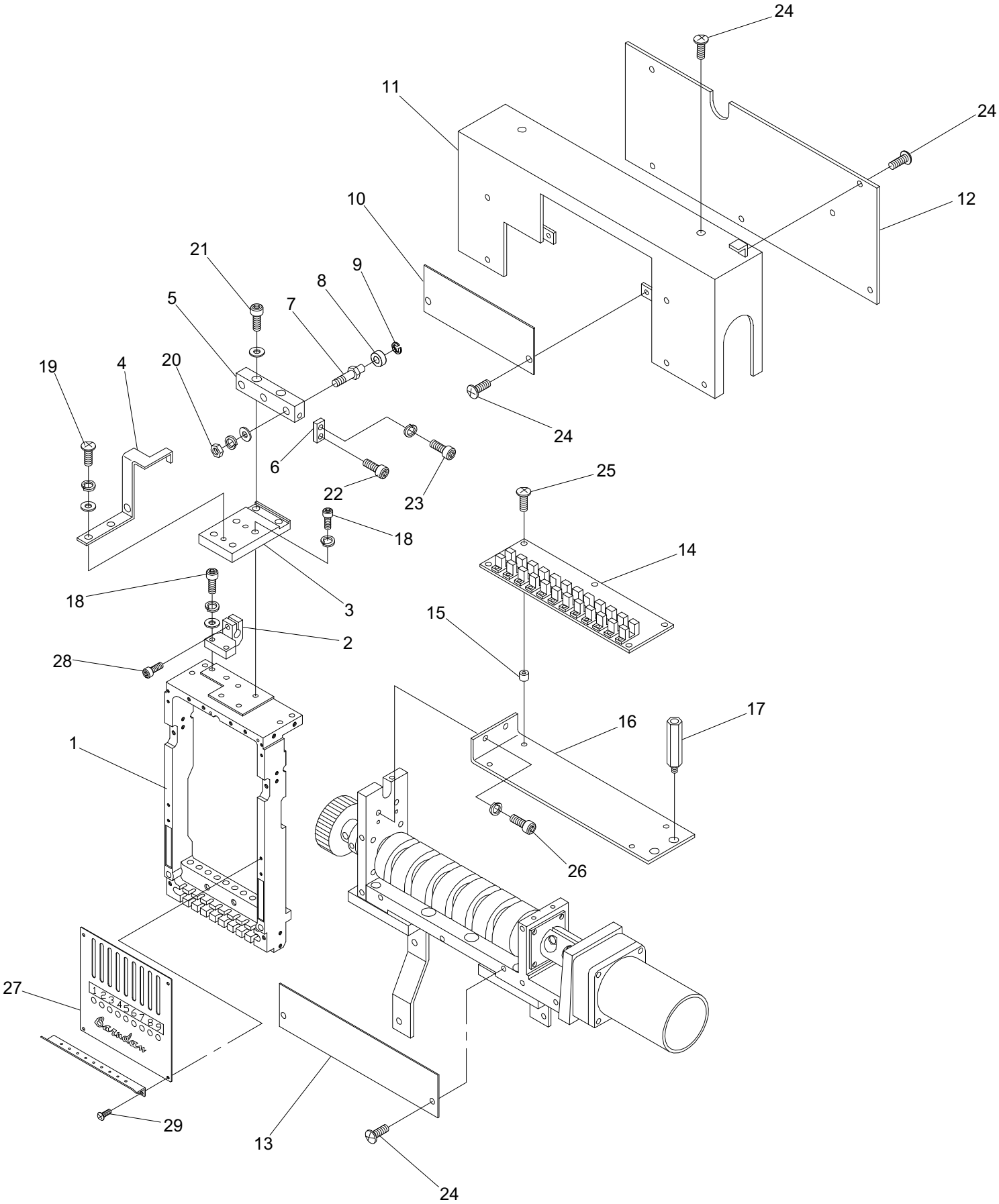
Automatic Thread Cutting Mechanism IV (Drive Mechanism)



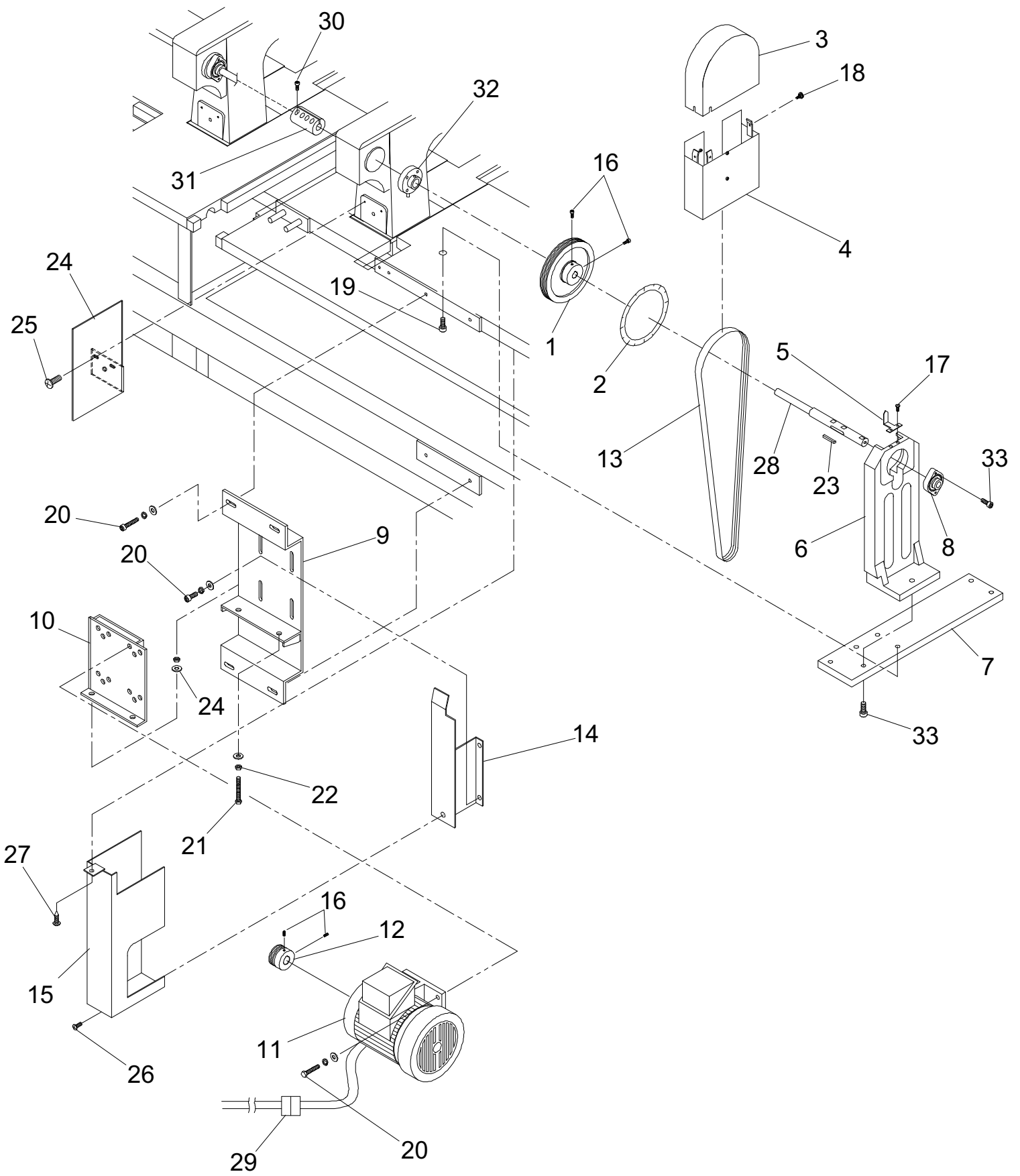
Color Change Mechanism I



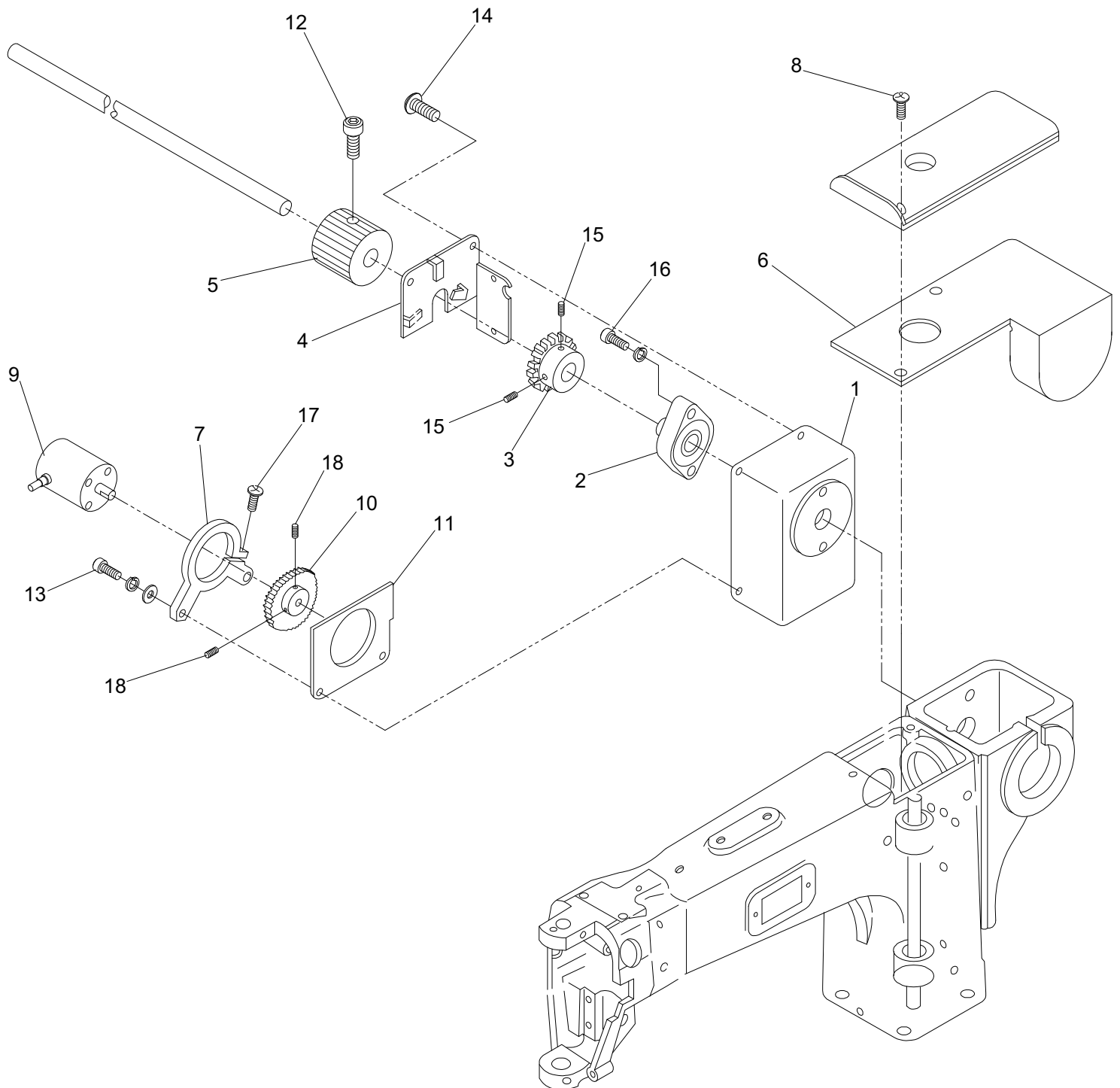
Color Change Mechanism II



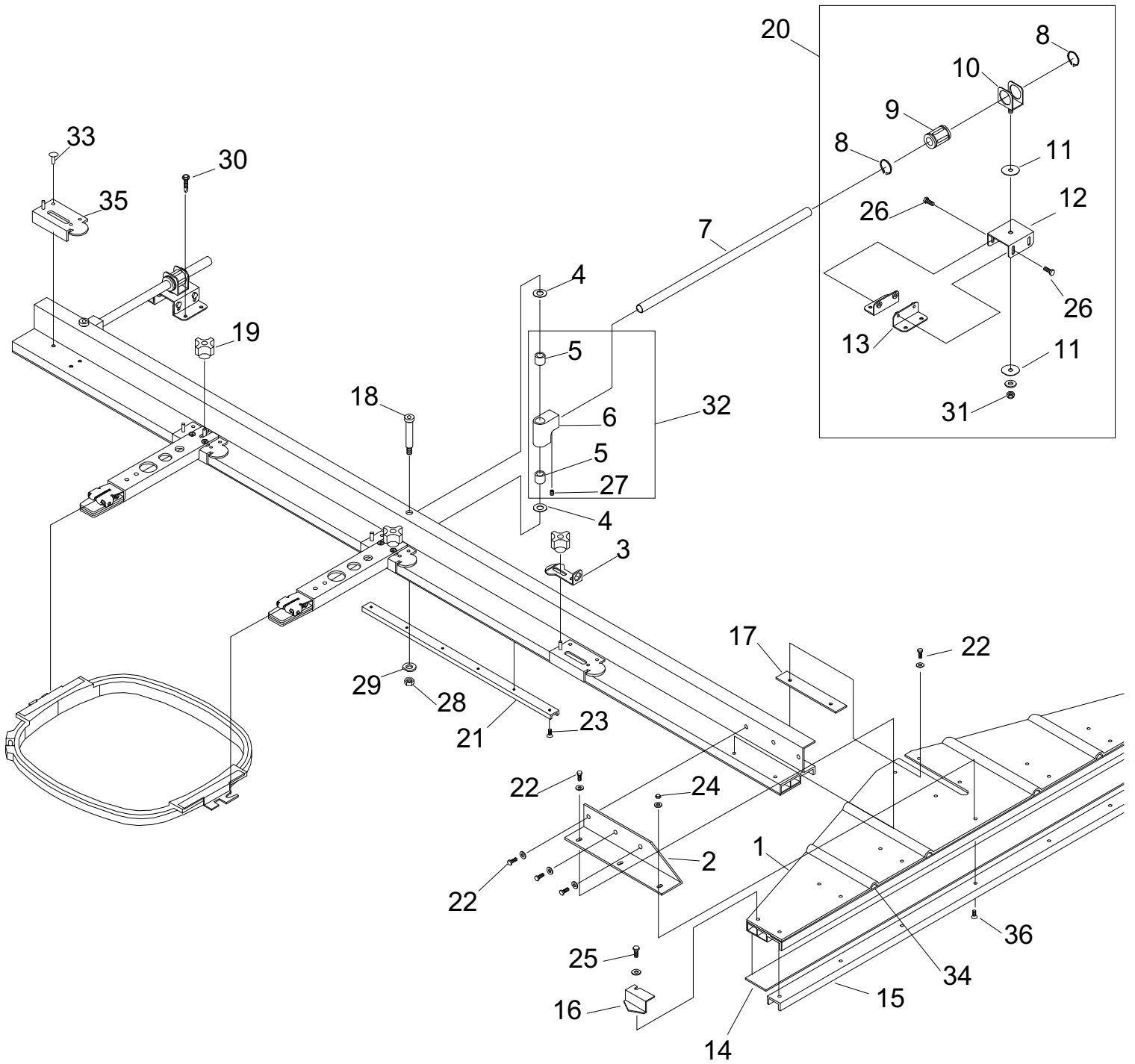
Drive Mechanism



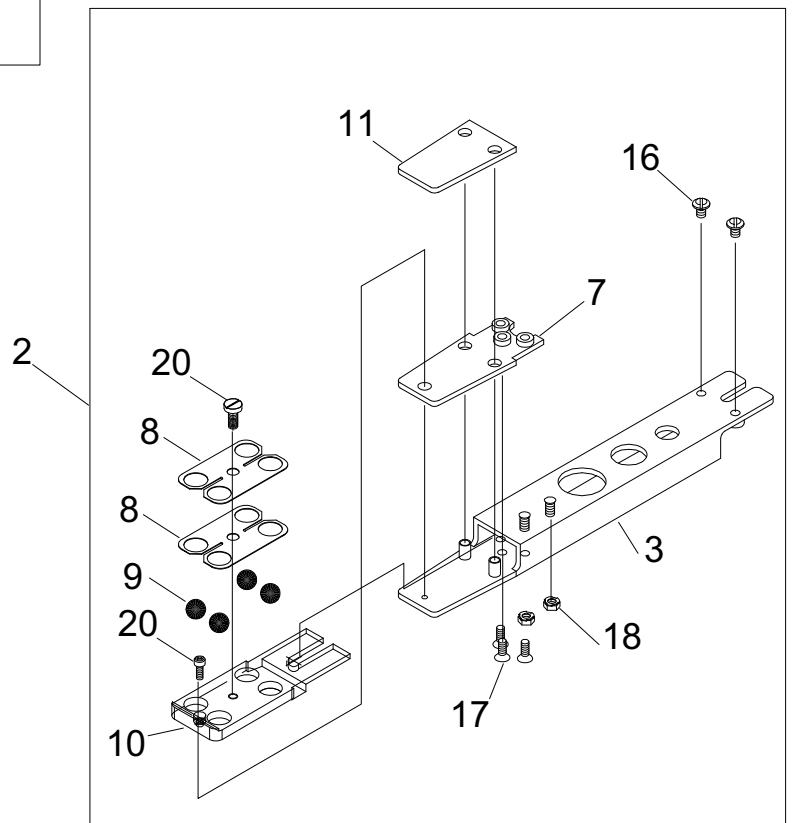
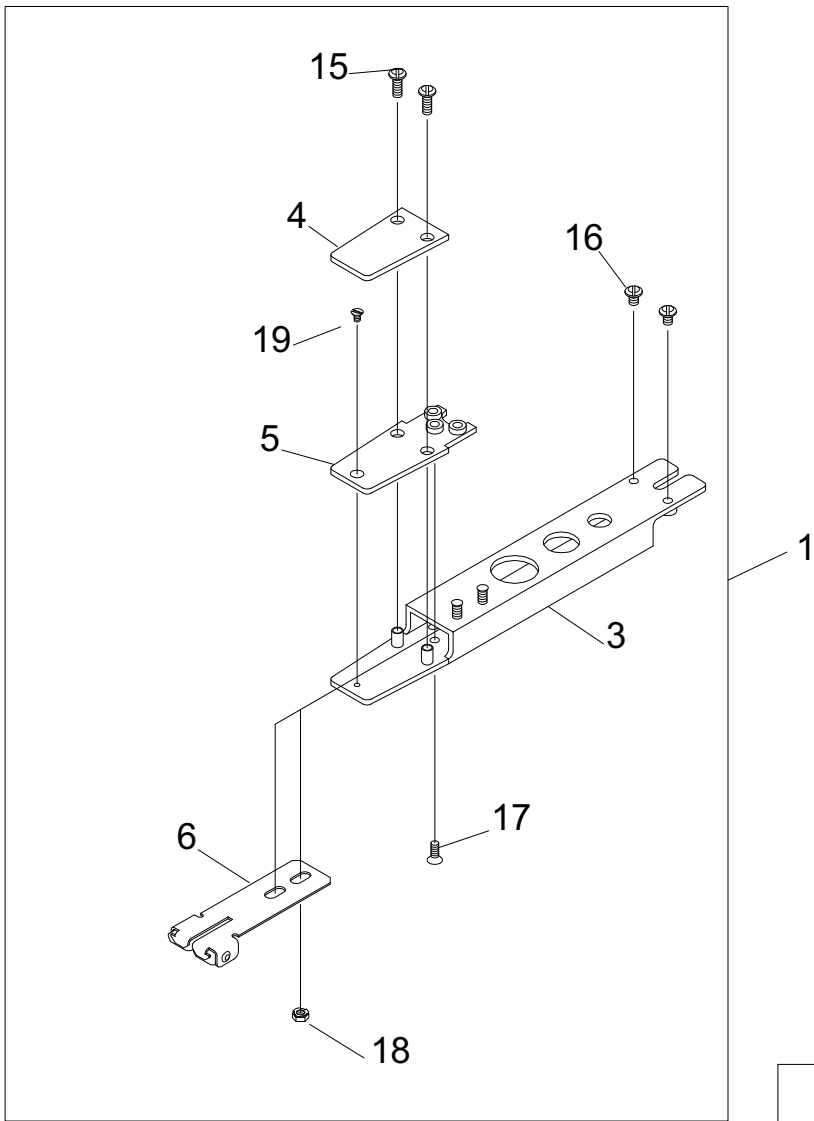
Connecting Shaft Mechanism



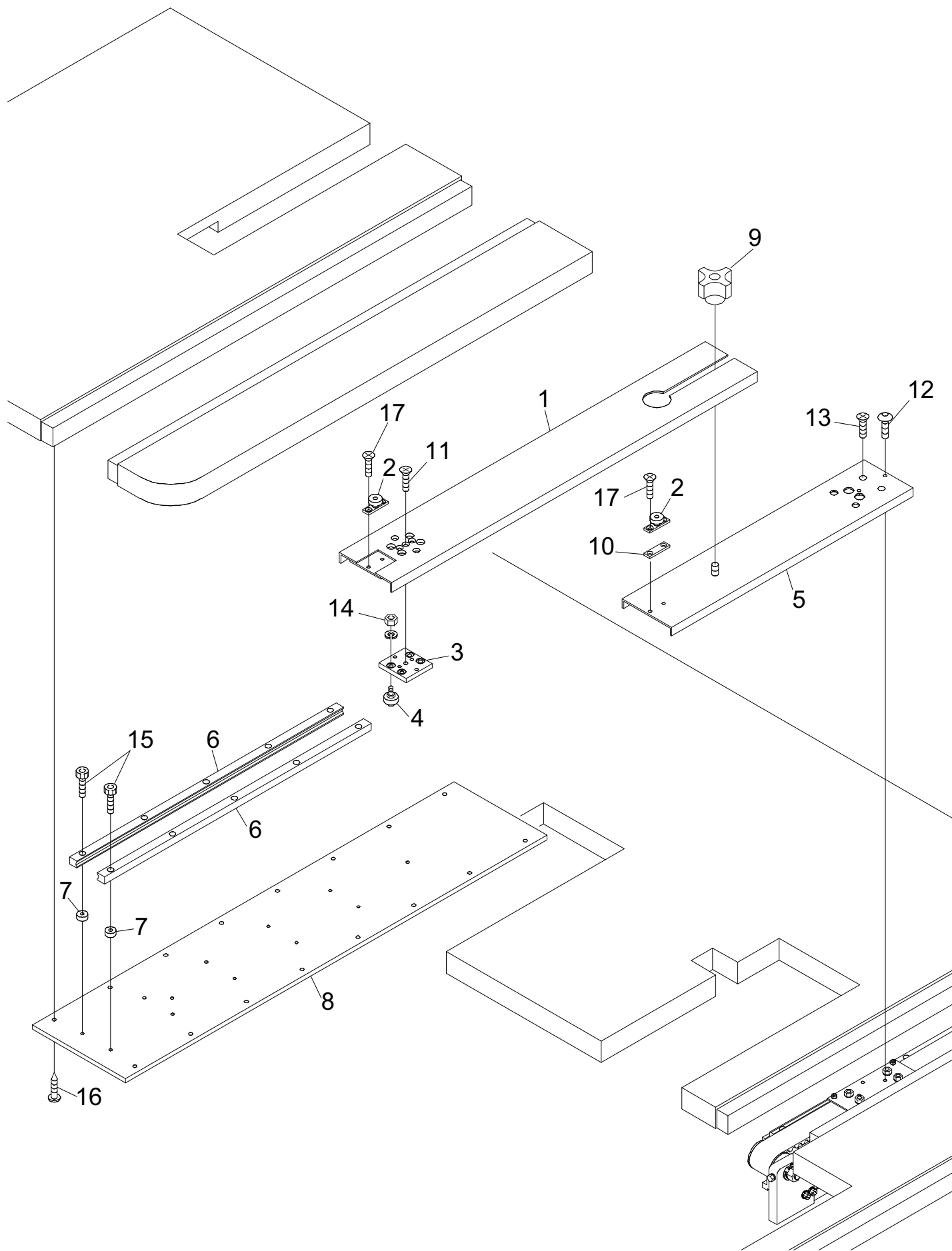
Pantograph Assembly



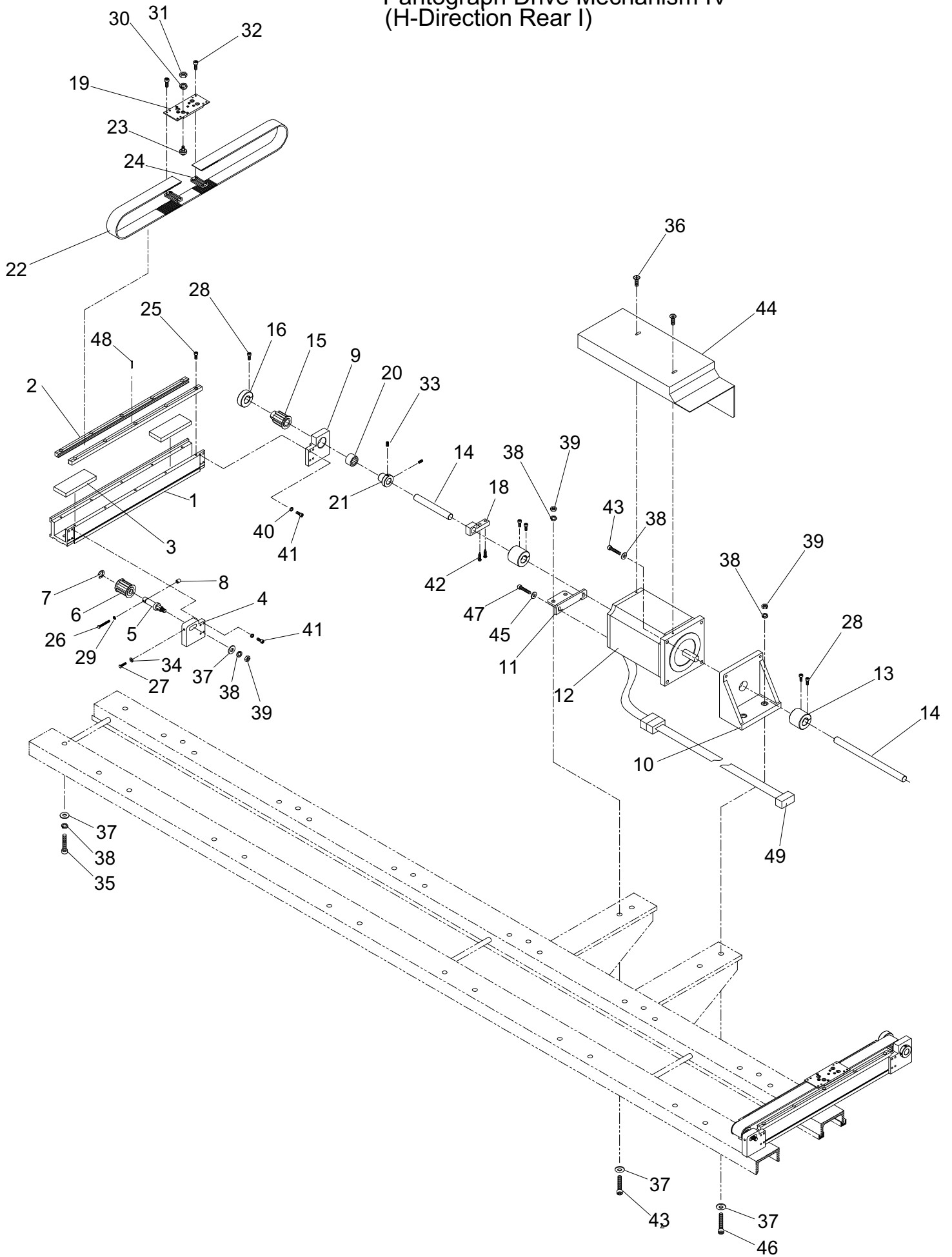
Pantograph Hoop Support Arm



Pantograph Drive Mechanism III (H Direction Front)



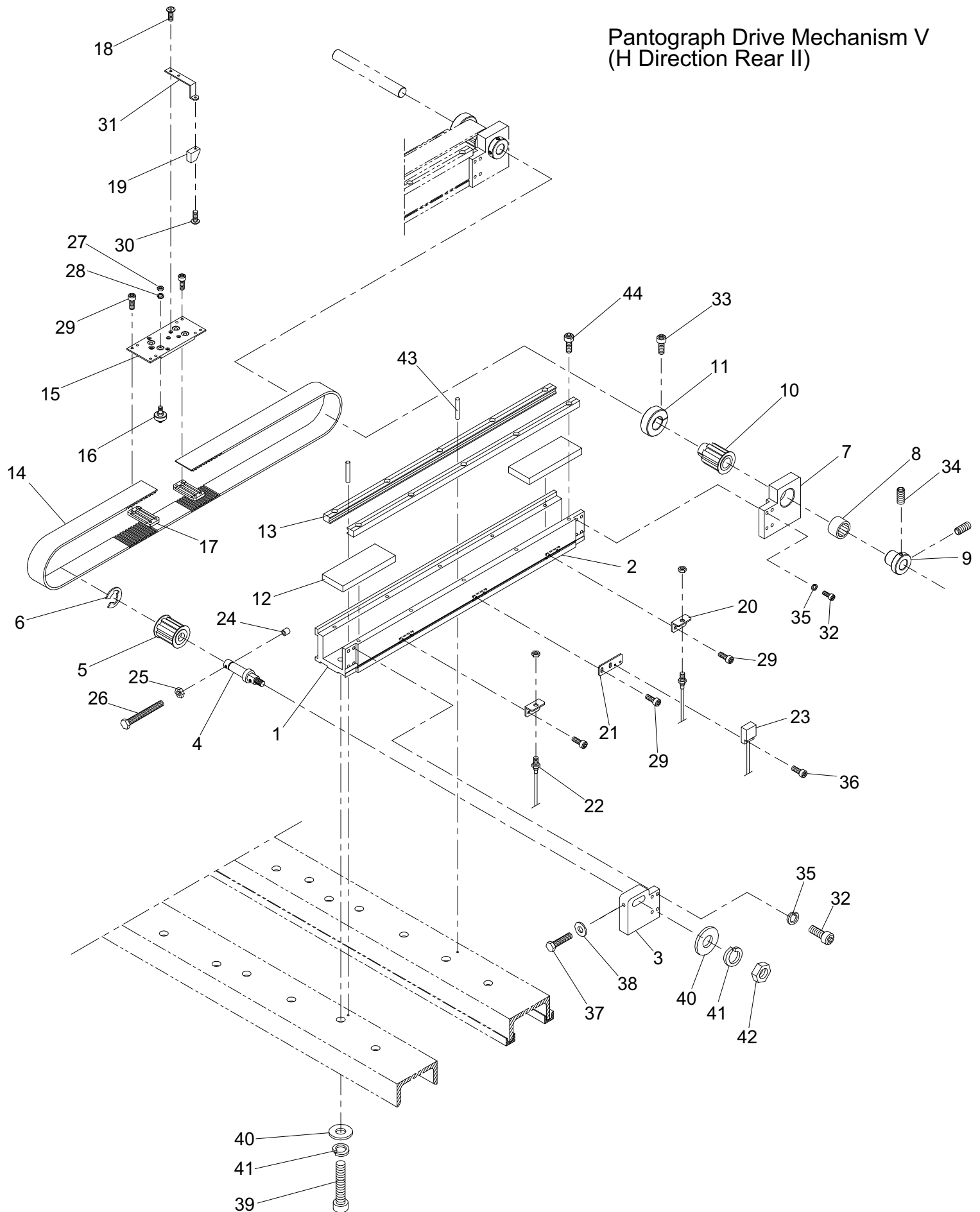
Pantograph Drive Mechanism IV (H-Direction Rear I)



Pantograph Drive Mechanism IV (H Direction Rear I)

ITEM	LIST No	DESCRIPTION	Q'TY	REMARK
1	KK480010	Base, H Drive (453I)	3	15hd. - 4, 20hd.-4
2	KK480140	H Guide Rail (430L)	6	15hd. - 8, 20hd.-8
3	KN480061	Rail Base Felt	6	15hd. - 8, 20hd.-8
4	KR480060	Front Pulley Bracket, H/V Guide	3	15hd. - 4, 20hd.-4
5	HH481991	Shaft, Timing Pulley	3	15hd. - 4, 20hd.-4
6	HV480050	Timing Pulley (Front)	3	15hd. - 4, 20hd.-4
7	A9012052	E-Ring, (10 dia.)	3	15hd. - 4, 20hd.-4
8	HH482110	Cap, Pulley Shaft Bolt	3	15hd. - 4, 20hd.-4
9	KK480050	Rear Pulley Bracket, H/V Guide	3	15hd. - 4, 20hd.-4
10	HV480010	H Pulse Motor Support Casting	1	
11	HV480020	H Pulse Motor Support Bracket	1	
12	HV480060	Motor, Pulse (5m)	1	
13	HH481931	Coupling, Pulse Motor	2	
14	KC320113	Driving Shaft, (15mm x 12ft.)	1	
15	HV480040	H/V Drive Pulley (Rear)	3	15hd. - 4, 20hd.-4
16	HH481980	Clamping Collar (19 dia.)	3	15hd. - 4, 20hd.-4
17	KC320113	Shaft, H Drive	1	
18	HV480070	Pulse Motor Connecting Shaft Support	2	
19	KK140130	H Roller Base (Rear)	3	15hd. - 4, 20hd.-4
20	A9011110	Bearing, Needle	3	15hd. - 4, 20hd.-4
21	HH481970	Pulse Motor Connecting Shaft Collar	3	15hd. - 4, 20hd.-4
22	HV480110103	Timing Belt (55M)	3	15hd. - 4, 20hd.-4
23	HP482950	Roller Pin Assy. A	12	15hd. - 16, 20hd.-16
24	HP482940	Timing Belt Rack (5M)	6	15hd. - 8, 20hd.-8
25		Screw, M4 X 16 Soc. Head Cap		
26		Bolt, M4 X 40 Hex Head		
27		Bolt, M4 X 40 Hex Head		
28		Screw, M5 X 16 Soc. Head Cap		
29		Nut, M4		
30		Washer, M5 Lock		
31		Nut, M5		
32		Screw, M3 x 6. Soc. Head Cap		
33		Screw, M5 x 8 Knurled Cup Set		
34		Washer, M4 Flat		
35		Screw, M8 x 25 Soc. Head Cap		
36		Screw, M4 x 10 Phil. Truss Head		
37		Washer, M8 Flat		
38		Washer, M8 Lock		
39		Nut, M8		
40		Washer, M4 Lock		
41		Screw, M4 X 18 Soc. Head Cap		
42		# 8-18x1 Tek Screw		
43		Screw, M8 x 30 Hex Soc. Head Cap		
44	A200152	Cover, H Drive Motor	1	
45		Washer, M6 Lock		
46		Screw, M8 X 40 Soc. Head Cap		
47		Screw, M6 X 22 Soc. Head Cap		
48		Pin, M4 X 24 Roll		
49	A200149	Cable, H Pulse Motor	1	

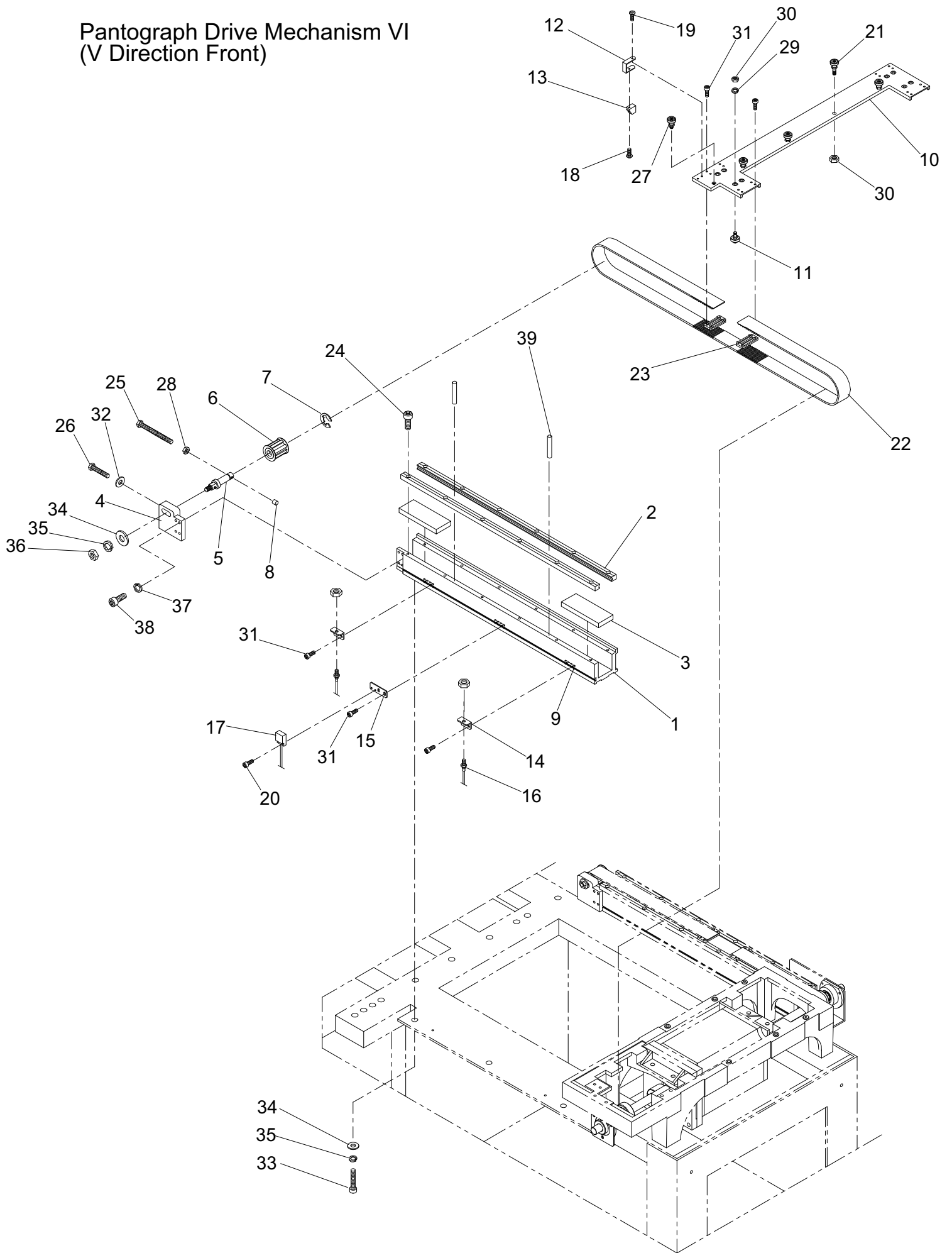
Pantograph Drive Mechanism V (H Direction Rear II)



Pantograph Drive Mechanism V (H Direction Rear II)

ITEM	LIST No	DESCRIPTION	Q'TY	REMARK
1	KK480010	Base, H Drive (453L)	1	
2	KU460270	Nut Plate	3	
3	KR480060	Front Pulley Bracket, H/V Guide	1	
4	HH481991	Shaft, Timing Pulley	1	
5	HV480050	H/V Timing Pulley	1	
6	A9012052	E Ring (10 dia.)	1	
7	KK480050	Rear Pulley Bracket, H/V Guide	1	
8	A9011110	Needle Bearing	1	
9	HH481970	Pulse Motor Connecting Shaft Collar	1	
10	HV480040	H/V Drive Pulley Rear	1	
11	HH481980	Clamping Collar (19 dia.)	1	
12	KN480061	Rail Base Felt	2	
13	KK480140	H Guide Rail (430L)	2	
14	HV480110	Timing Belt (55M)	1	
15	KK480140	H Roller Base (Rear)	1	
16	HP482950	Roller Pin Assy. A	4	
17	HP482940	Timing Belt Rack (5m)	2	
18		Screw., M4 x 6.0 Flat Hd.		
19	A9052030	Magnet (M-102 A-02)	1	
20	MT460240	Proximity Switch Bracket	2	
21	KN450300	Origin Sensor Mounting Bracket	1	
22	A9052024	Proximity Switch (RS-001)	2	
23	A9052031	Origin Sensor Switch (MH-601A)	1	
24	HH482110	Cap, Pulley Shaft Bolt	1	
25		Nut, M4		
26		Bolt, M4 X 40 Hex Head		
27		Nut, M5		
28		Washer, M5 Lock		
29		Screw, M3 X 6 Socket Head		
30		Screw, M3 X 6 Truss Head		
31	KU460342	H Magnet Bracket	2	
32		Screw, M4 X 18 Socket Head		
33		Screw, M5 X 16 Socket Head		
34		Screw, M5 x 8 Knurled Cup Point Socket Set		
35		Washer, M4 Lock		
36		Screw, M3 x 10 Socket Head		
37		Bolt, M4 X 30 Hex Head		
38		Washer, M4 Flat		
39		Screw, M8 X 25 Socket Hd Cap		
40		Washer, M8 Flat		
41		Washer, M8 Lock		
42		Nut, M8 Hex		
43		Pin, M4 x 24 Roll		
44		Screw, M4 x 16 Socket Head Cap		

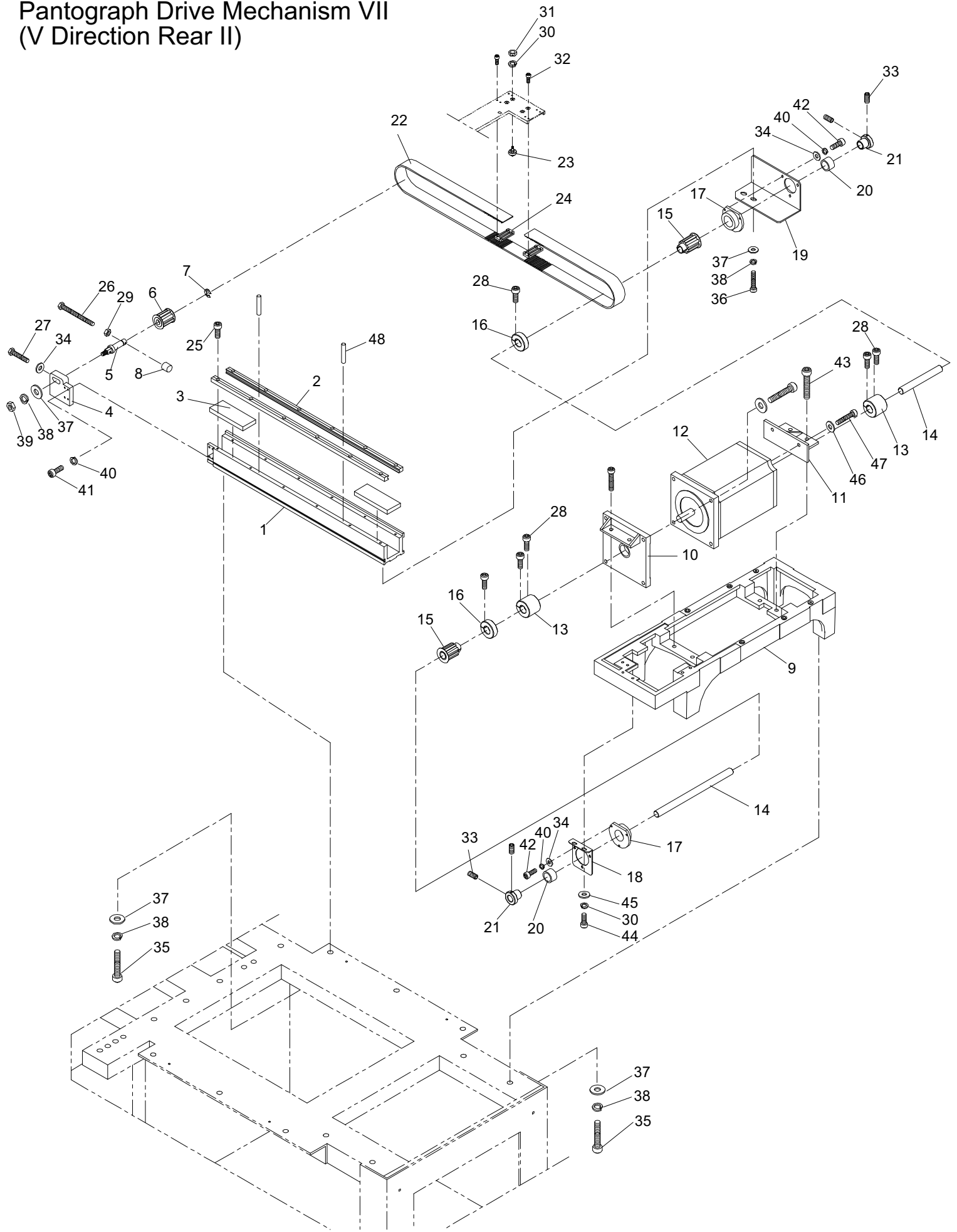
Pantograph Drive Mechanism VI (V Direction Front)



Pantograph Drive Mechanism VI (V Direction Front)

ITEM	LIST No	DESCRIPTION	Q'TY	REMARK
1	A300077	Base, V Drive Front (531L)	1	
2	A300075	V Guide Rail (561L)	2	
3	KN480061	Rail Base Felt	2	
4	KR480060	Front Pulley Bracket, H/V Guide	1	
5	HH481991	Shaft, Timing Pulley	1	
6	HV480050	Timing Pulley (Front)	1	
7	A9012052	E-Ring, (10 dia.)	1	
8	HH482110	Cap, Pulley Shaft Bolt	1	
9	KU460270	Nut Plate	3	
10	KK480110	V Roller Base	1	
11	HP482950	Roller Pin Assy A	4	
12	KN450311	V Magnet Bracket	1	
13	A9052030	Magnet (M-102A-02)	1	
14	MT460240	Proximity Switch Bracket	2	
15	KN450300	Origin Sensor Mounting Bracket	1	
16	A9052024	Proximity Switch (RS-001)	2	
17	A9052031	Origin Sensor Switch (MH-601A)	1	
18		M4 X 6 Phil Flat Hd Screw	1	
19		M3 X 8 Truss Hd. Screw	1	
20		M3 X 10 Socket Hd. Cap Screw	2	
21	HP483111	Roller Pin Assy. B	4	
22	HV480110	Timing Belt (55M)	1	
23	HP482940	Timing Belt Rack (5m)	2	
24		M4 X 16 Socket Hd. Cap Screw	12	
25		M4 X 40 Hex Hd. Bolt	1	
26		M4 X 30 Hex Hd. Bolt	1	
27	HP483370	Roller Bearing Pin Assy. (V Roller)	1	
28		M4 Hex Nut	1	
29		M5 Lock Washer	4	
30		M5 Hex Nut	8	
31		M3 X 6 Socket Hd. Cap Screw	10	
32		M4 Flat Washer	1	
33		M8 X 25 Socket Hd. Cap Screw	3	
34		M8 Flat Washer	4	
35		M8 Lock Washer	4	
36		M8 Hex Nut	1	
37		M4 Lock Washer	4	
38		M4 X 18 Socket Hd. Cap Screw	4	
39		M4 X 24 Roll Pin	2	

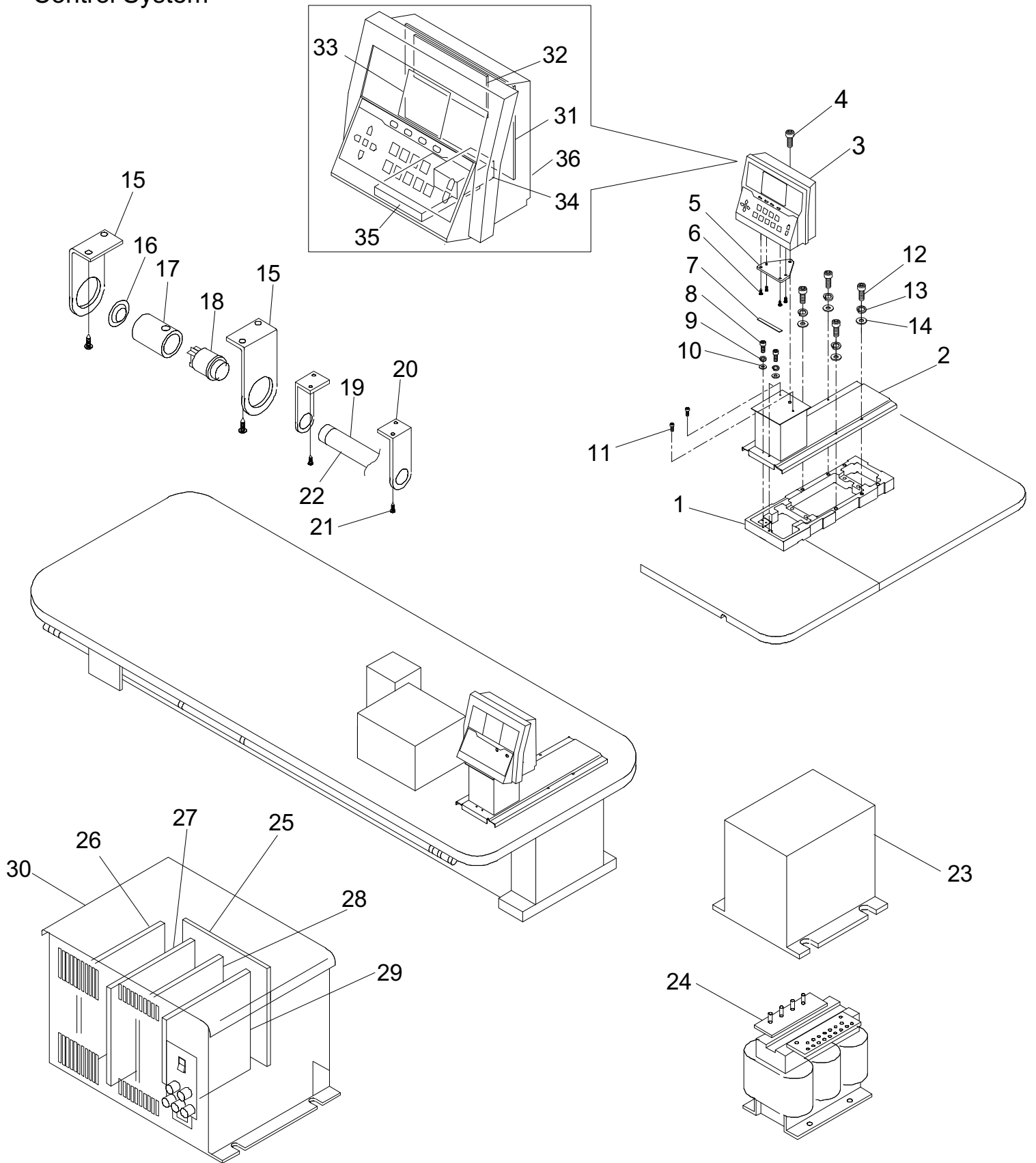
Pantograph Drive Mechanism VII (V Direction Rear II)



Pantograph Drive Mechanism VII (V Direction Rear II)

ITEM	LIST No	DESCRIPTION	Q'TY	REMARK
1	A300078	Base, V Drive Rear (531L)	1	
2	A300075	V Guide Rail (516L)	2	
3	KN480061	Rail Base Felt	2	
4	KR480060	Front Pulley Bracket, H/V Guide	1	
5	HH481991	Shaft, Timing Pulley	1	
6	HV480050	Timing Pulley (Front)	1	
7	A9012052	E-Ring, (10 dia.)	1	
8	HH482110	Cap, Pulley Shaft Bolt	1	
9	KV330030	V Pulse Motor Casting	1	
10	A200136	V Pulse Motor Bracket "A"	1	
11	A200135	V Pulse Motor Bracket "B"	1	
12	HV480060	Motor, Pulse (5M)	1	
13	HH481931	Coupling, Pulse Motor	2	
14	KC320113	Driving Shaft (225L)	2	
15	HV480040	H/V Drive Pulley (Rear)	2	
16	HH481980	Clamping Collar (19 dia.)	2	
17	KN490130	V Timing Belt Bearing Housing	2	
18	KN490121	V Drive Bearing Bracket (Front)	1	
19	KS480040	V Drive Bearing Bracket (Rear)	1	
20	A9011110	Needle Bearing	2	
21	HH481970	Pulse Motor Connecting Shaft Collar	2	
22	HV480110	Timing Belt (55M)	1	
23	HP482950	Roller Pin Assy A	4	
24	HP482940	Timing Belt Rack (5m)	2	
25		Screw, M4 X 16 Socket Head	12	
26		Bolt, M4 X 40 Hex Head	1	
27		Bolt, M4 X 30 Hex Head	1	
28		Screw, M5 X 16 Socket Head	6	
29		Nut, M4	1	
30		Washer, M5 Lock	6	
31		Nut, M5	4	
32		Screw, M3 x 6 Socket Head	4	
33		Screw, M5 x 8 Knurled Cup Point Set	4	
34		Washer, M4 Flat	7	
35		Screw, M8 x 25 Socket Head	10	
36		Screw, M8 x 20 Socket Head	2	
37		Washer, M8 Flat	13	
38		Washer, M8 Lock	13	
39		Nut, M8	1	
40		Washer, M4 Lock	10	
41		Screw, M4 x 18 Socket Head	4	
42		Screw, M4 x 10 Socket Head	6	
43		Screw, M6 x 25 Socket Head	4	
44		Screw, M5 x 12 Socket Head	2	
45		Washer, M5 Flat	2	
46		Washer, M6 Lock	6	
47		Screw, M6 x 22 Socket Head	6	
48		M4 X 24 Roll Pin	2	

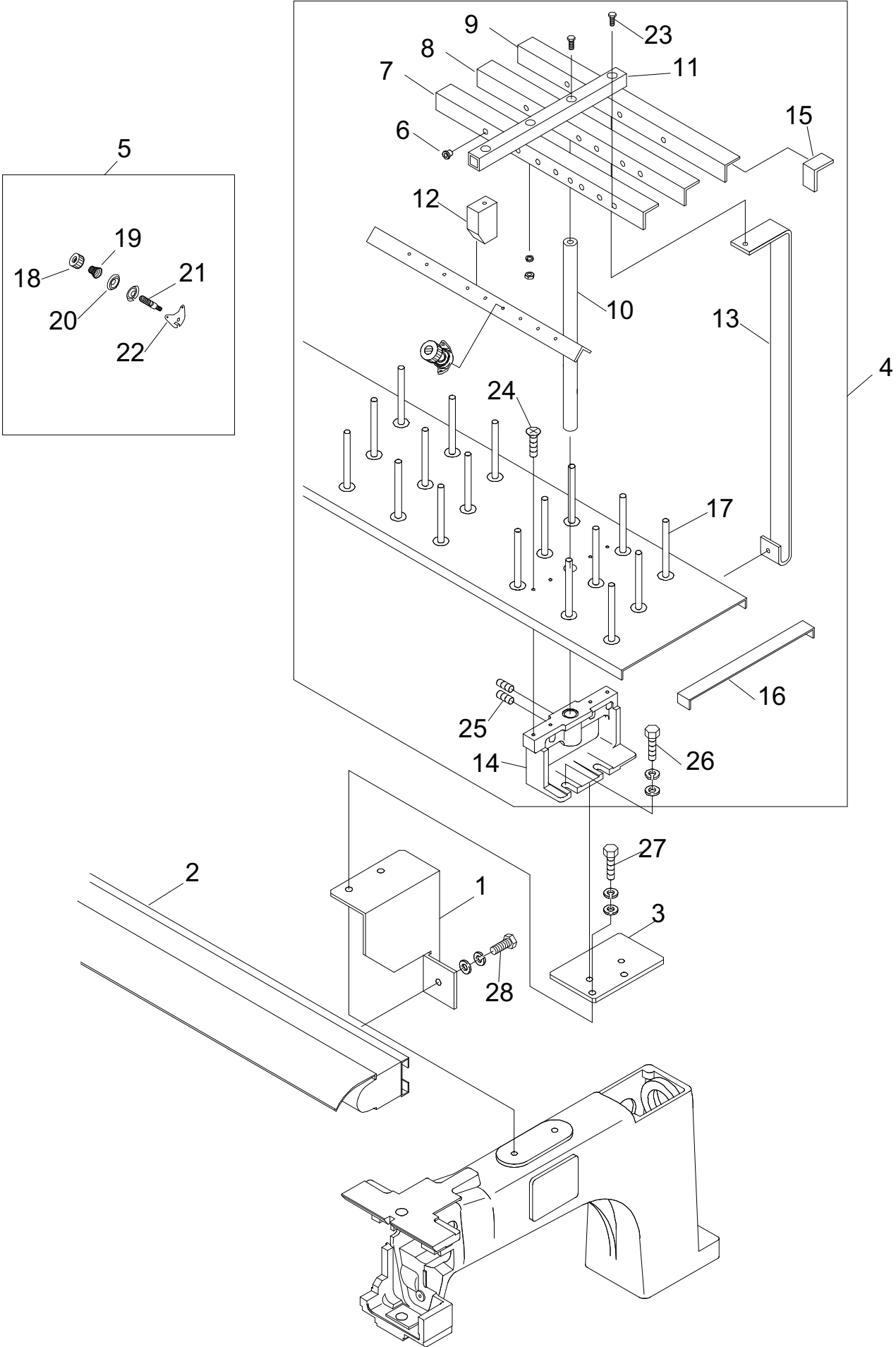
Control System



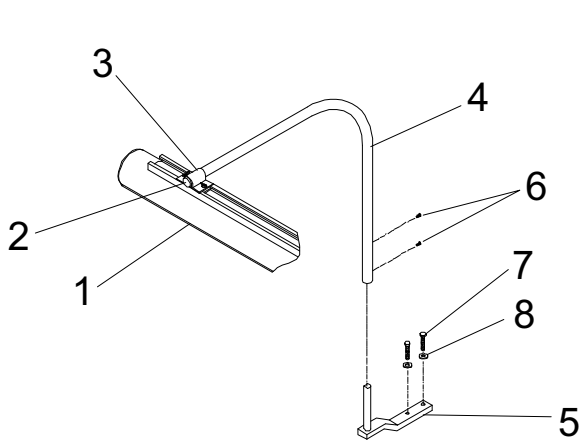
Control System

ITEM	LIST No	DESCRIPTION	Q'TY	REMARK
1	KV330030	V Pulse Motor Support Casting	1	
2	A100197	Weldment, NS Automat	1	
3	EAY033A1	NS Automat Controller	1	
4		SCREW, M10 x 20 Socket Head		
5	HV330020	Bracket, NS Automat	1	
6		Screw, M4 x 10 Phil. Flat Head		
7	HV330022	Automat Bracket Spacer	1	
8		Screw, M5 x 18 Socket Head		
9		Washer, M5 Lock		
10		Washer, M5 Flat		
11		Screw, M5 x 10 Socket Head		
12		Screw, M6 x 16 Socket Head		
13		Washer, M6 Lock		
14		Washer, M6 Flat		
15	KC530230	Bar Switch Bracket (Lg)	4	
16	A400010	Switch Housing Cover	2	
17	A400009	Bar Switch Housing	2	
18	A400008	Start Switch (Gr)	1	
	A400007	Stop Switch (Rd)	1	
19	KF530160	Bar Switch	1	
20	KC530240	Bar Switch Bracket (Sm)	2	
21		Hex #2 Tek Screw		
22	A400011	Bar Switch End Cap	1	
23	KC520020	Transformer Cover Set	1	
24	EAY033A3	NS Transformer, 3P (UAD-VIII)	1	
	EAY034A3	NS Transformer, 1P (UAD-VIII)	1	
25	EBY01330	5740 Back Board (NS)	1	
26	EBY01311	5721 Pulse Motor Drive Unit (NS)	1	
27	EBY01340	5751 Inverter Unit (NS)	1	
28	EBY01300	5710 CPU Board (NS)	1	
29	EBY01320	5730 Control Unit (NS)	1	
30	EAY033A2	NS Driver Unit (UAD-VIII)	1	
31	EBY01250	5611 N CPU Board		2
32	EBY01240	5430 N Memory Board		3
33	EBY01260	LCD Display (SE-4469-1)		4
34	EBY01270	NS Automat Power Supply		5
35	EBY01352	Floppy Disk Drive		6
36	EBY01510	Automat Power Cable		19

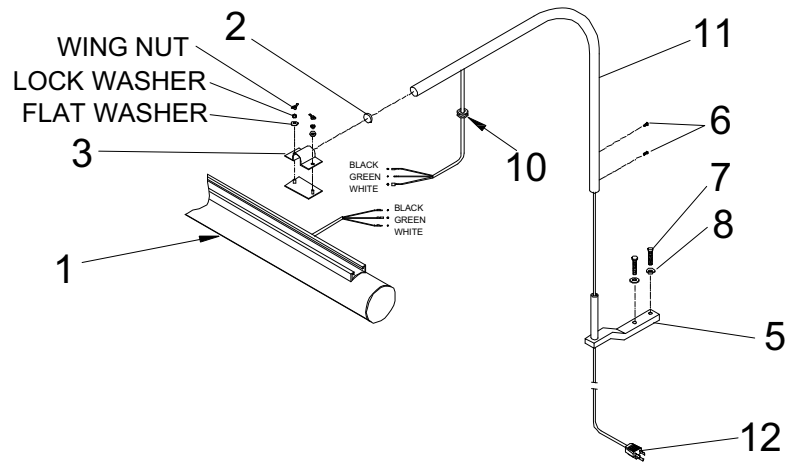
Thread Stand/Under head lamp



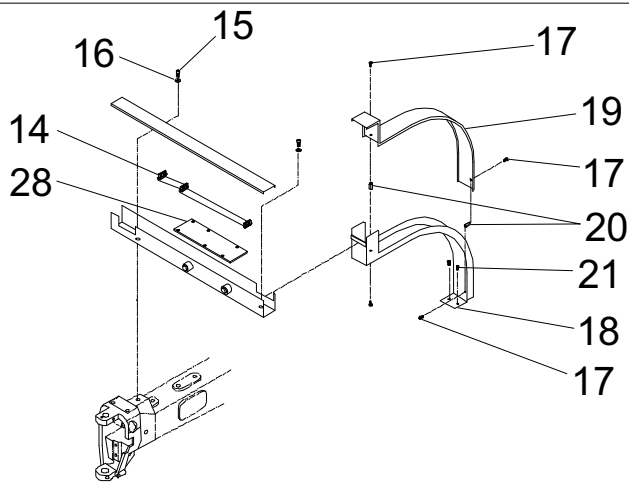
Lamp Assembly (Overhead Style)



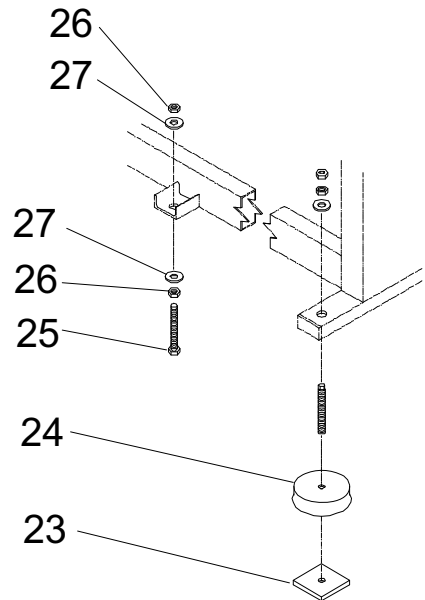
9 BLACK LAMP SUPPORT ASSEMBLY



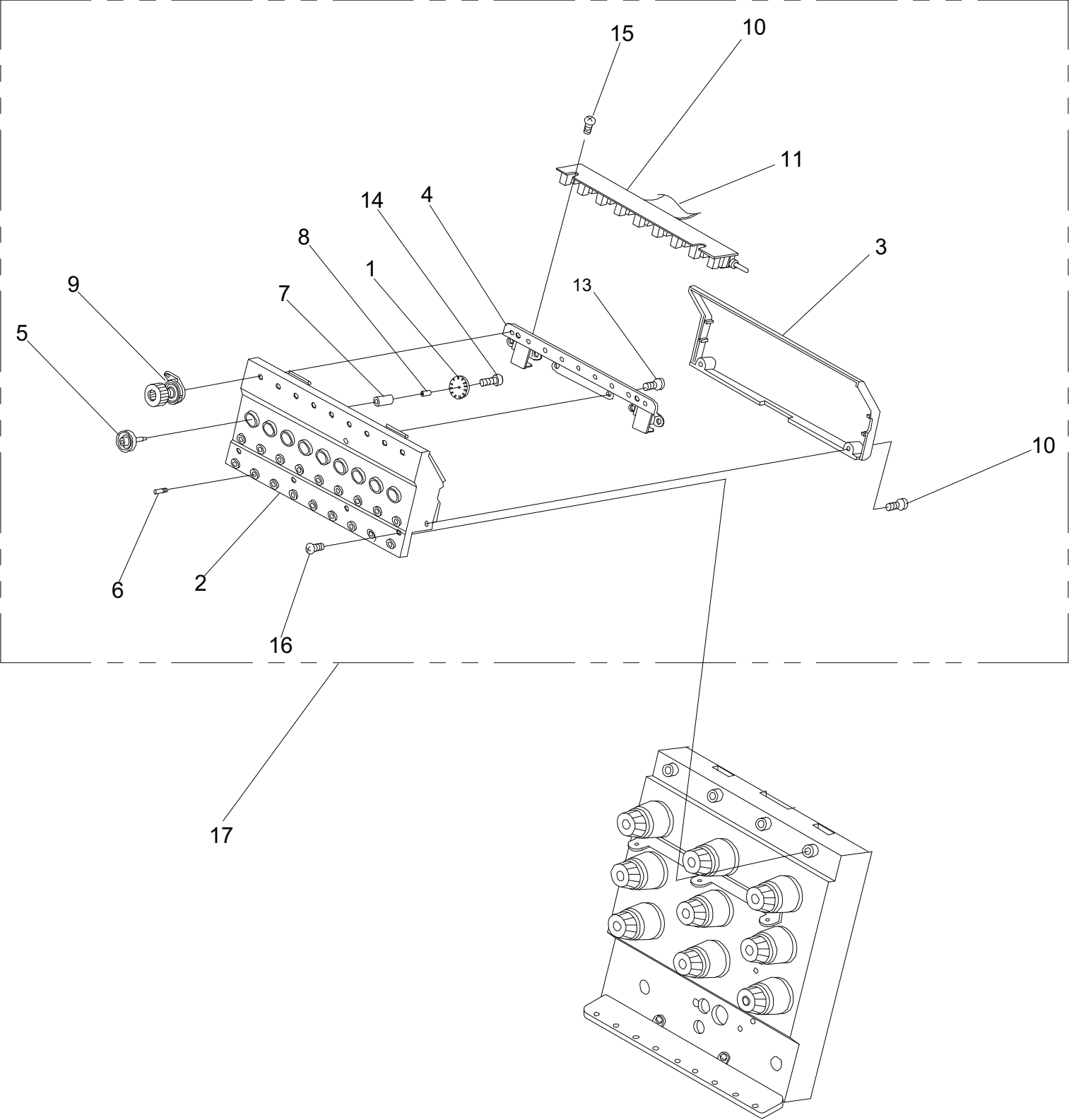
13 CORDED BLACK LAMP SUPPORT ASSEMBLY



22 HEAD DUCT WIRING ASSEMBLY



UTSM Option



Head Cover

